

# Description of Changing Ball Bearings at Wind Transmitter - compact 4.3519.00.001

with serial number 11 04 001 to 11 04 053



## Remark

The mounting of ball bearings requires much care, know-how, and cleanliness in order to achieve an optimum capacity.

Incorrect mounting of ball bearings might challenge the value of even the best construction, and cause additionally costs in repair and maintenance.

## Instruction for the correct mounting of ball bearings:

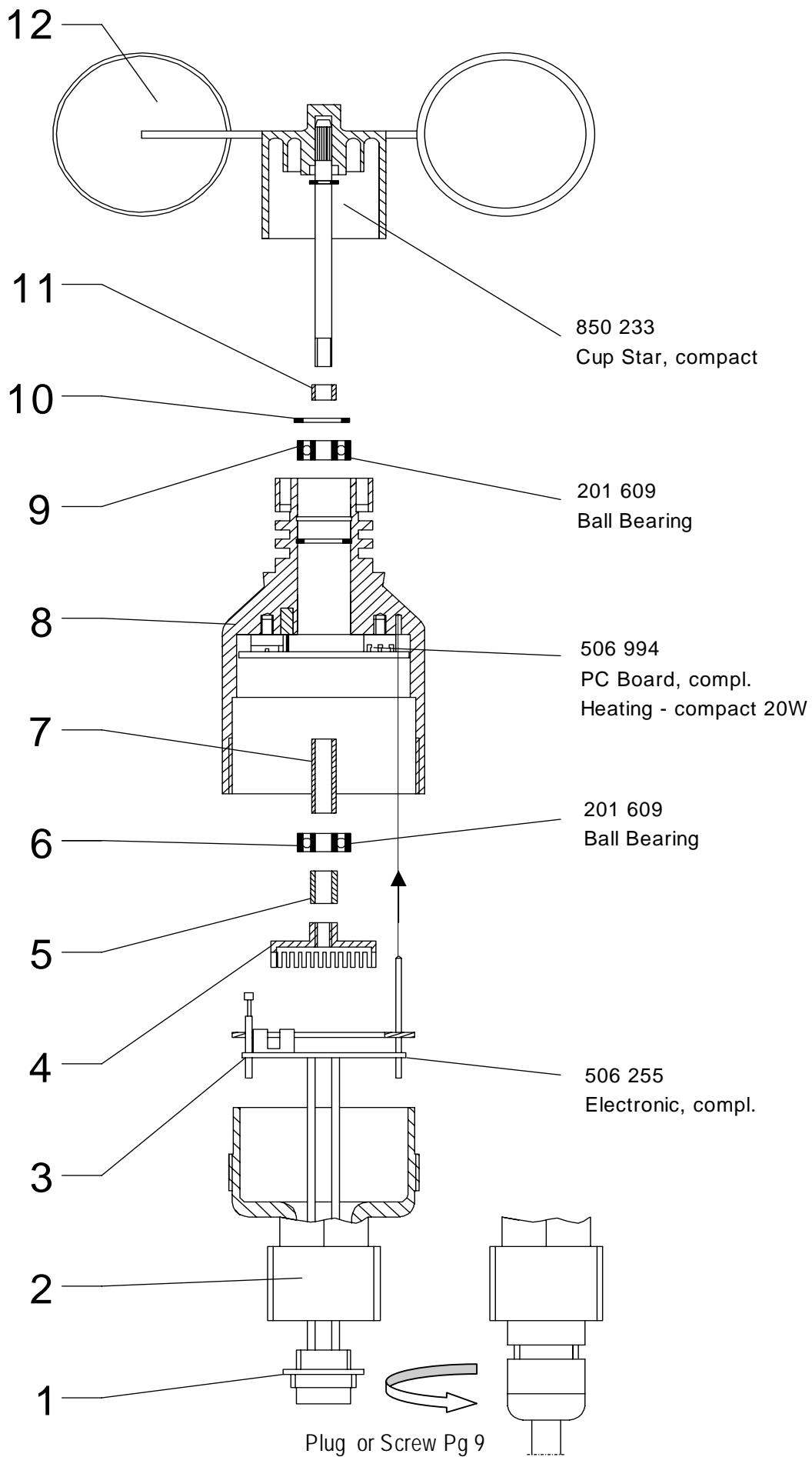
- For the mounting of ball bearings it is advisable to use a possibly dust-free room where there are no cut-workings or workings with compressed air..
- The ball bearings should be taken out of the packing only immediately before mounting.

## Mounting

1. Loosen cable gland Pg9 item 1 by counter clockwise rotation until the cable does not jam any more.
2. Screw off and remove receptacle item 2 by counter clockwise rotation together with pc-board item 3
3. Remove pot disc item 4 by counter clockwise rotation (hold on cup star)
4. Remove distance tube item 5
5. Pull upward and remove cup star item 12.
6. Remove retaining ring item 10
7. Drive out the stuck-in (Loctite Type 259) upper ball bearing item 6, and the lower ball bearing item 9 by means of a thorn.
8. Clear sticking remainders off the seat of ball bearings by means for a reamer or triangular scraper; clean the surfaces with petroleum ether afterwards
9. **IMPORTANT:**  
Ball bearings must be built-in under dust-free conditions, and without mechanical impact load.
10. Take the new ball bearings 201 609 out of the packing, and clean the exterior surfaces of the bearings with petroleum ether – oil- and grease-free
11. Insert the upper ball bearings straight – not tilted – into the housing item 8, and secure it with “Loctite 259”; let it dry for 1 to 2 hours afterwards.
12. Fix the upper ball bearings item 9 again by the retaining ring item 10.
13. Put the cup star item 12 with the distance tube item 11 through the ball bearings, and push the distance tube item 7 onto the axis from below.
14. Insert the lower ball bearings straight – not tilted – into the housing item 8, and secure it with “Loctite 259”.
15. Push distance tube item 5 onto the axis, and tighten-up the ball bearings by pot disc; secure thread with “Cyanolit”.
16. Insert pc-board item 3 with the guide pin into the housing item 8
17. Screw-tight receptacle item 2 by clockwise rotation, and stick it all round with “Loctite 460”.
18. Screw tight cable gland item 1 by clockwise rotation.

|  |  |  |  |
|--|--|--|--|
|  | <b>ADOLF THIES GmbH &amp; Co. KG</b>   |  |  |
|  | Hauptstraße 76 37083 Göttingen Germany<br>P.O. Box 3536 + 3541 37025 Göttingen<br>Phone ++551 79001-0 Fax ++551 79001-65<br>www.thiesclima.com info@thiesclima.com |  |  |

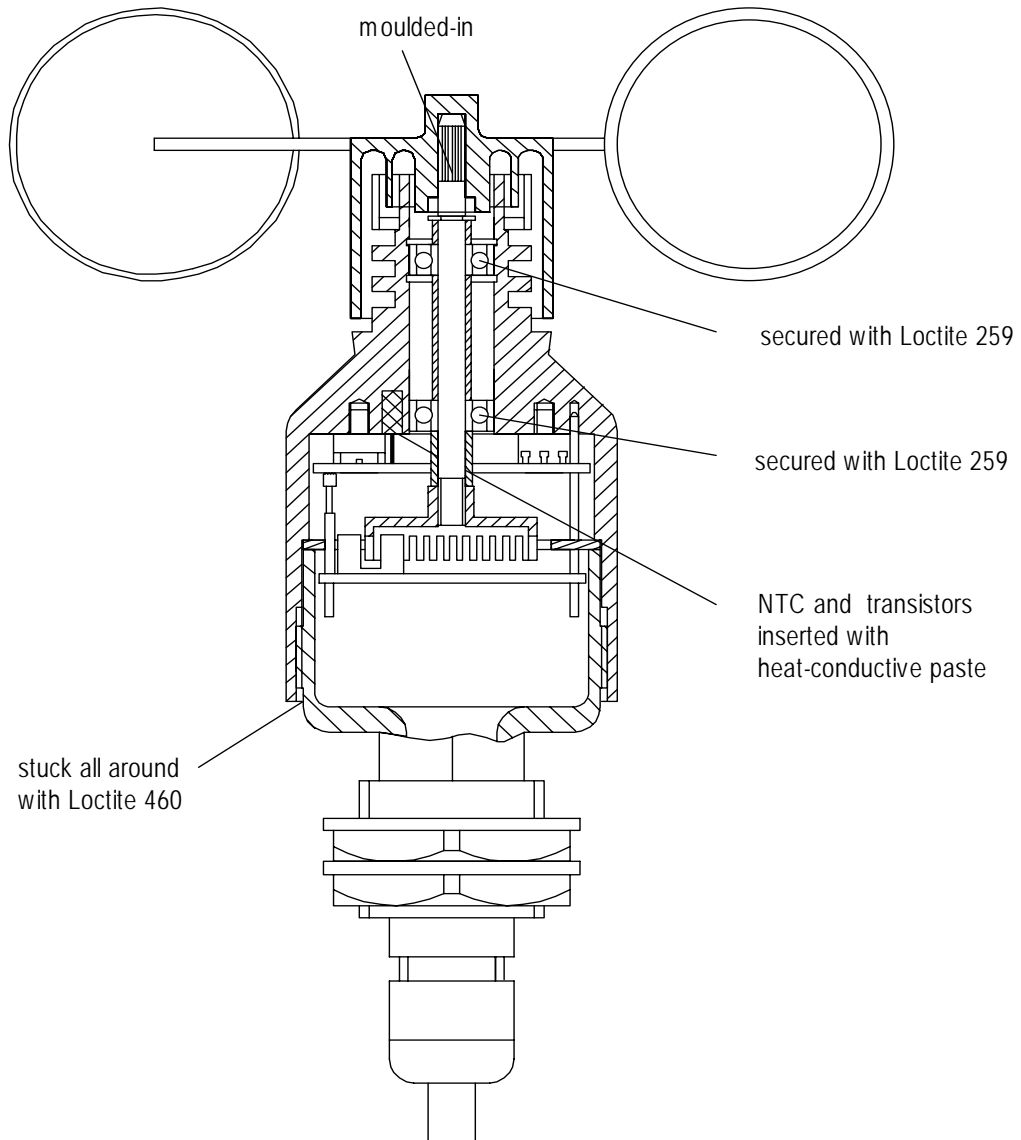
- Alterations reserved -



# Wind Transmitter - compact

low power with Frequency Output

## 4.3519.00.001



### Wiring

### Cable

