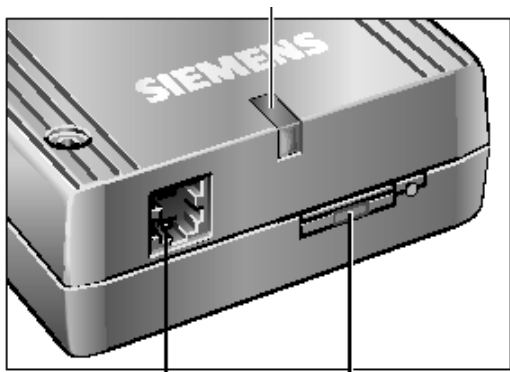


# Instruction

## Change of the SIM-Card in the GSM-Modem TC 35

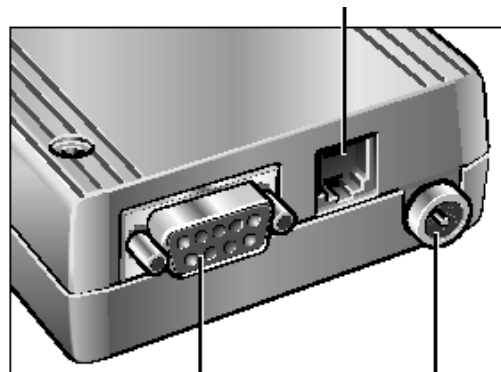
(9.1703.00/20.000)

Rear view



SIM-card holder

Front view

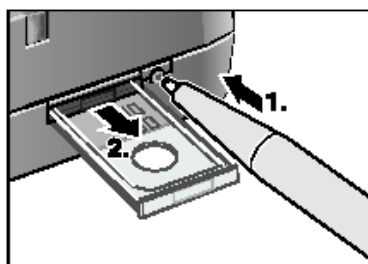


RS232 interface Antenna connector

### Changing of SIM-Card

#### Remove SIM – Card holder

- 1. Press the unlocking button with a pin until the SIM-card-holder is pushed out a little.
- 2. Take the remaining SIM-card-holder with the fingers and remove it completely.

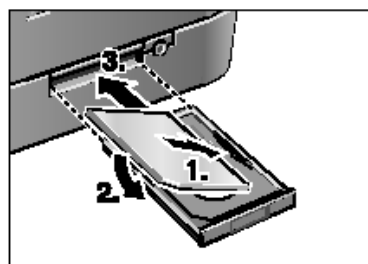


#### Changing of Mini SIM Card

- 1. Press out the inserted SIM-Card through the hole with the fingers.
- 2. Insert the new SIM-Card into the SIM-card-holder.
- **Attention** : the bevelled angle must fit the form of the SIM-card-holder.

#### Putting-in the SIM-Card holder

- 3. Put the SIM-card-holder with the inserted Mini SIM Card into the modem slot (card towards the bottom) and pay attention to the guide bars of the SIM-card-holder. Put in the SIM-card-holder as far as it will go.





## **ADOLF THIES GmbH & Co. KG**

Hauptstraße 76      37083 Göttingen Germany  
P.O. Box 3536 + 3541      37025 Göttingen  
Phone ++551 79001-0      Fax ++551 79001-65  
[www.thiesclima.com](http://www.thiesclima.com)      [info@thiesclima.com](mailto:info@thiesclima.com)



- Alterations reserved -