

Instruction for Use / Mounting Instruction

021576/10/08

Wind Protection Element

5.4200.00.000

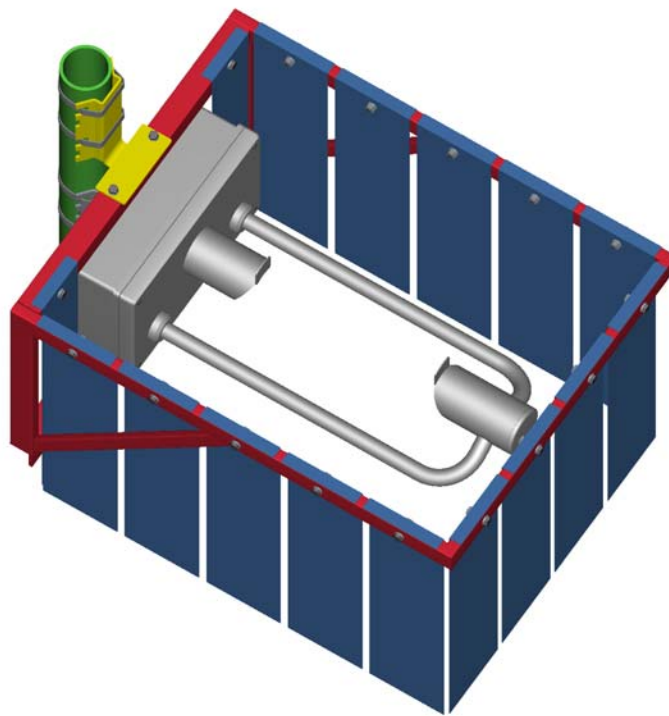


Figure : Wind Protection Element and "LPM"

ADOLF THIES GmbH & Co. KG

Hauptstraße 76
Box 3536 + 3541
Phone ++551 79001-0
www.thiesclima.com

37083 Göttingen Germany
37025 Göttingen
Fax ++551 79001-65
info@thiesclima.com

Contents

1	Models available / Scope of delivery.....	2
2	Application	2
3	Mounting	3
3.1	Mounting: Laser- Precipitation-Monitor	3
3.2	Mounting and Preparation: Wind Protection.....	3
3.3	Mounting and Preparation: Mounting Set, Wind Protection	4
4	Maintenance	5
5	Technical Data.....	5

1 Models available / Scope of delivery

Description	Order - No.	Suitable for:
Wind Protection Element	5.4200.00.000	Laser- Precipitation- Monitor 5.4110.xx.xxx

Scope of delivery :

Item	Quantity	Description	No.
1	1	Frame	508 618
2	14	Lamella	508 619
3	2	Lamella	508 620
4	20	Screw	300 870
5	16	Screw nut	300 446
6	32	Washer	300 620
7	2	Mounting Set	506 614 (506 971)

2 Application

The wind protection serves as optional accessory for a Laser-Precipitation-Monitor „LPM“.

The Laser-Precipitation-Monitor „LPM“ acquires the different types of precipitation such as drizzle, rain, hail, snow, and mixed precipitation. A wind protection can be used for an extensively trouble-free acquisition of these precipitations. It provides for the precipitation falling nearly swirl-free through the measuring system of the „LPM“.

3 Mounting

3.1 Mounting: Laser- Precipitation-Monitor

Before mounting of the wind protection the Laser-precipitation-monitor „LPM“ is to be installed first. You will find a detailed description for installation in the Instructions for Use of the “Laser-Precipitation-Monitor LPM” .

3.2 Mounting and Preparation: Wind Protection

For assembling the wind protection a suitable place is necessary.

We recommend to carry out the complete assembling at this place.

Procedure:

1. Unpack the wind protection parts.
2. Screw Lamella **2** and **3** to the frame **1** acc. to figures 1 and 2 with mounting material **4 5 6**
3. Screw both mounting angles **7** (from the mounting sets 506614 / 506971) to the frame each above and below acc. to figure 1 with their mounting materials.

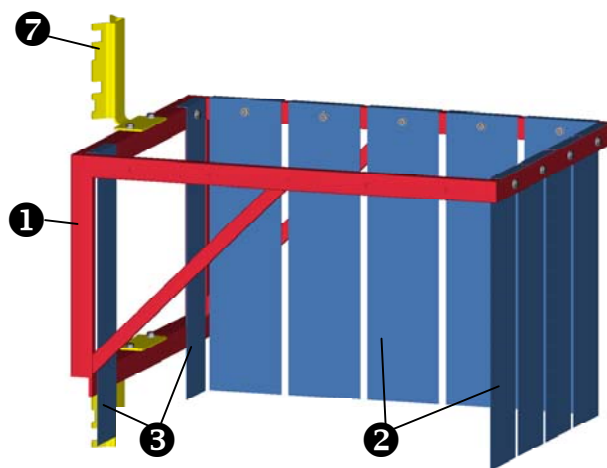


Fig. 1

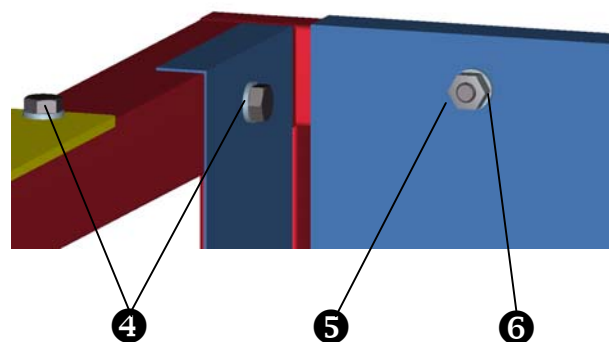


Fig.2

3.3 Mounting and Preparation: Mounting Set, Wind Protection

1. Cut 4 pieces of the necessary length from the guy ropes of the mounting sets (506614 / 506971). See table.

Mast Ø	Length of Guy Rope	Mounting Set - compact
48 mm	250 mm	506 614
60 mm	310 mm	506 614
80 mm	370 mm	506 614
90 mm	400 mm	506 614
102 mm	440 mm	506 614
132 mm	540 mm	506 971
200 mm	750 mm	506 971

2. Insert the guy rope into the housing from screw head side, and bend an overlap of 20 mm around the saddle. See figure 1.
3. The pre-assembled wind protection (frame with lamella and mounting angle) is now to be affixed at the mast above the already installed "LPM". See figure page 1.
4. The mounting is carried out by prepared clamps. The free end of the guy rope of the prepared clamp is put around mast and mounting angle and is screwed in. See figures 2 u. 3.

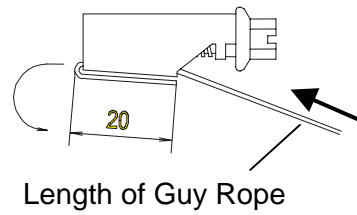


Figure 1

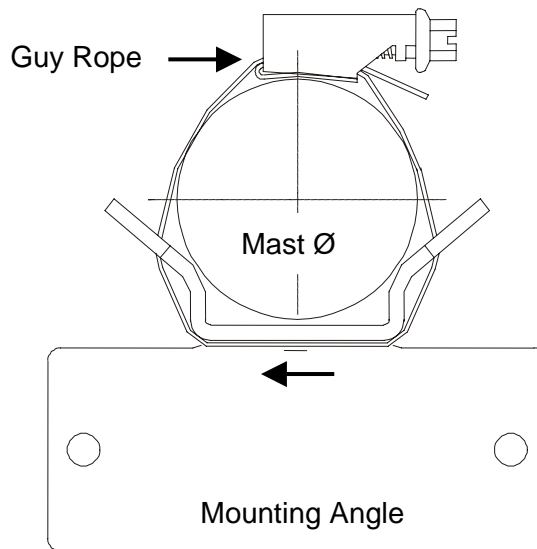


Figure 2

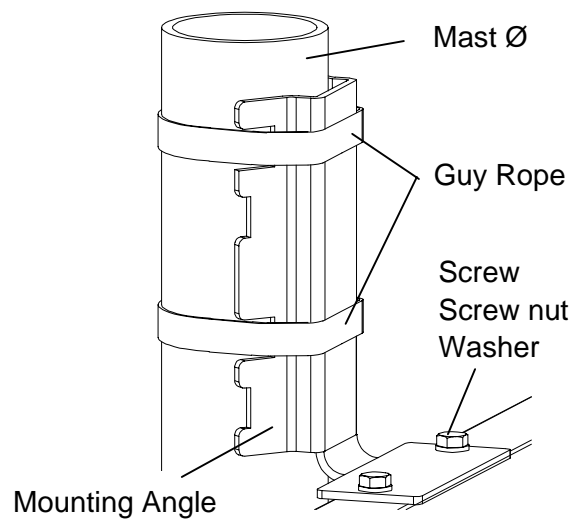


Figure 3

4 Maintenance

Agitations, vibrations or the like might loosen the mounting. Therefore, we recommend to check the wind protection in certain intervals. The interval depends on the location and the expected load factor.

Remark:

Please pay attention also to the warning notices for the Laser-Precipitation Monitor.

5 Technical Data

Dimensions	600 x 480 x 400 (LxBxH)
Material	
Frame	Steel, zinc plated
Lamella	Stainless steel
Screws, Screws nuts, Grommets	Stainless steel
Mounting Set (506 614 / 506971)	Stainless steel
Weight	approx.. 18 Kg



ADOLF THIES GmbH & Co. KG

Hauptstraße 76 37083 Göttingen Germany
P.O. Box 3536 + 3541 37025 Göttingen
Phone ++551 79001-0 Fax ++551 79001-65
www.thiesclima.com info@thiesclima.com



- Alterations reserved -