

## Instruction for Use

021439/06/06

---

# ***Combined Wind Transmitter***

**4.3323.51.500**



### **ADOLF THIES GmbH & Co. KG**

Hauptstraße 76

Box 3536 + 3541

Phone ++551 79001-0

[www.thiesclima.com](http://www.thiesclima.com)

37083 Göttingen Germany

37025 Göttingen

Fax ++551 79001-65

[info@thiesclima.com](mailto:info@thiesclima.com)

## Contents

1	Models .....	2
2	Range of application .....	2
3	Mode of Operation .....	3
4	Recommendation Site Selection / Standard Installation .....	3
5	Installation.....	4
5.1	Mounting the Cup Anemometer .....	4
5.2	Mounting the Wind Vane .....	5
5.3	Mounting the Wind Transmitter .....	5
5.4	Electrical Mounting .....	5
6	Maintenance .....	6
7	Wiring diagram.....	6
8	Technical Data.....	7
9	Dimension .....	8

## 1 Models

---

Order-No..	Meas. range	Electr. Output
4.3323.51.500	Wind velocity : 0,3 .... 50 m/s Wind direction : 170° - 0° - 170°	3 - 1042 Hz 0,27 / 5,00 / 9,72 V DC

## 2 Range of application

---

The combined wind transmitter is designed to detect the horizontal components of wind speed and wind direction. The measured values are available as digital signal (wind speed) and analogue signal (wind direction) on the output.

For winter time use the wind transmitter is equipped with an electronically regulated heating, which guarantees the smooth-running of the ball bearing, and prevents ice forming in the space between the external rotation parts.

---

**Remark:**

*A **Lightning Rod** Order-No. **4.3100.99.000** is recommended if the instrument is to be used in areas with considerable lightning activity.*

---

### **3 Mode of Operation**

---

A light metal low-inertia cup anemometer running in ball bearings begins to rotate when the wind blows. The rotations are scanned opto-electronically, producing a pulse frequency which is used for digital data processing.

The axis of the wind vane is running in ball bearings and carries a magnet at the inner end. The angle position of the axis is scanned contact-free by a magnetic angle sensor through the position of the magnet field. The connected electronics calculates the angle position of the axis and provides the respective analog output signal.

The housing, cup star and wind vane are made of aluminum, die the surfaces are anodized. The bow consists of stainless steel. Labyrinth seals and o-rings protect the sensitive internal parts from precipitation. The instrument is designed for mounting to a mast tube; the electrical plug connection is situated in the transmitter shaft.

The Combined Wind Transmitter is shipped in parts to avoid damage during transport and to reduce the size of the container.

The shipment includes the following parts:

- 1 Comb. Wind Transmitter, pre-mounted
- 1 cup anemometer ( black anodised )
- 1 wind vane ( black anodised )
- 1 connecting plug

### **4 Recommendation Site Selection / Standard Installation**

---

In general, wind measurement instruments should be able to detect wind conditions over a broad range. In order to obtain comparative values of the surface wind, measurements should be taken at a height of 10m above a flat, open terrain. Open terrain means that the distance between the wind transmitter and an obstacle is at least 10 times greater than the height of the obstacle itself. If this requirement cannot be fulfilled, then set the wind transmitter up at a height where the influence of local obstacles on the measured values is minimal (about 6-10 m above the level of the obstacle). If the wind transmitter is set up on a flat roof, then place it in the center of the roof and not at the edge in order to avoid privileged directions.

## 5 Installation

---

**Attention:**

*Storing, mounting and operation under weather conditions is permissible only in vertical position, as otherwise water can get into the instrument.*

---

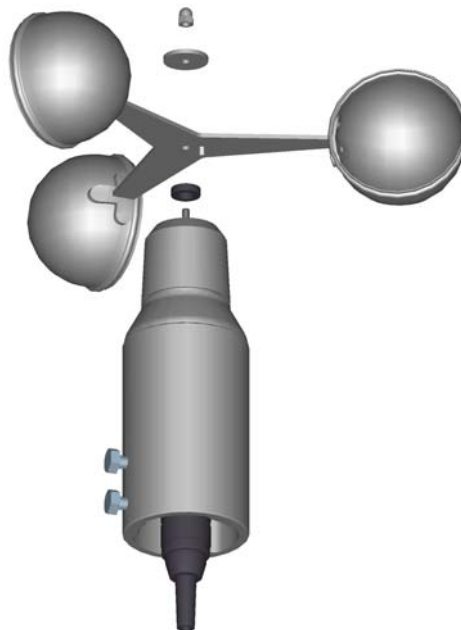
**Remark:**

*When using fastening adapters (angle, traverses, hangers etc.) please take a possible effect by turbulences into consideration.*

---

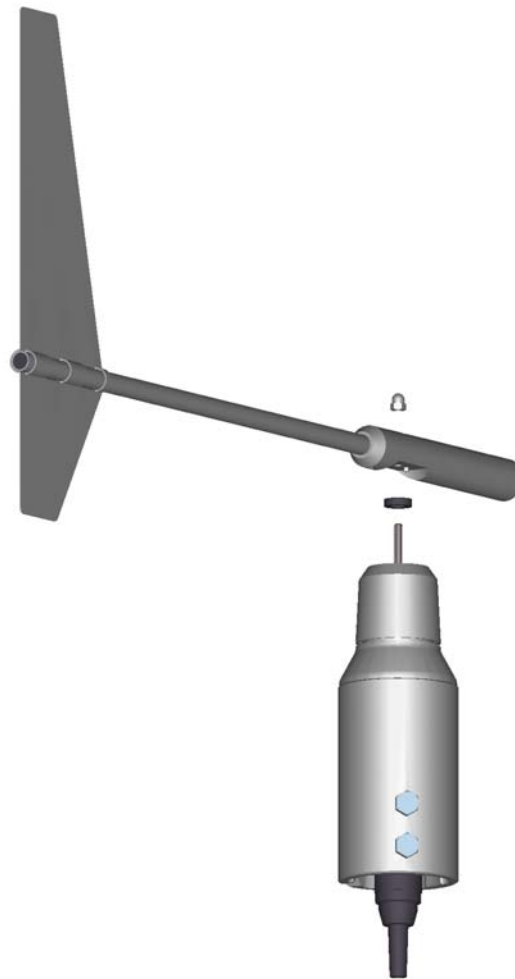
### 5.1 Mounting the Cup Anemometer

Unscrew the cap nut (SW 8) from the case of the speed transmitter and remove the disk. The rubber gasket remains in the protection cap. Place the cup anemometer such that the set pin on the cup anemometer catches in the notch of the protective cap. Replace the disk and re-screw the cap nut. Make sure you hold the transmitter on the protective cap and not on the cup anemometer.



## 5.2 Mounting the Wind Vane

Mount the wind vane in the same way as the cup anemometer (see 5.1.) The only difference is that there is no disk.



## 5.3 Mounting the Wind Transmitter

The wind transmitter can be mounted to a 50 mm long piece of pipe (R 1 1/2" ( $\phi$  48,3 mm)). The internal diameter of the pipe must be at least 40 mm as the transmitter is connected from below with a plug. Solder a flexible control line LiYCY with the appropriate number of cores of 0.5 mm<sup>2</sup> each to the enclosed plug. Once the transmitter has been connected electrically, set it onto the pipe and align it with **the marking (dash) on the case to “south”**. **The bow of the case is aligned to “north”**. Fix the instrument into position with the two hexagonal screws on the shaft.

## 5.4 Electrical Mounting

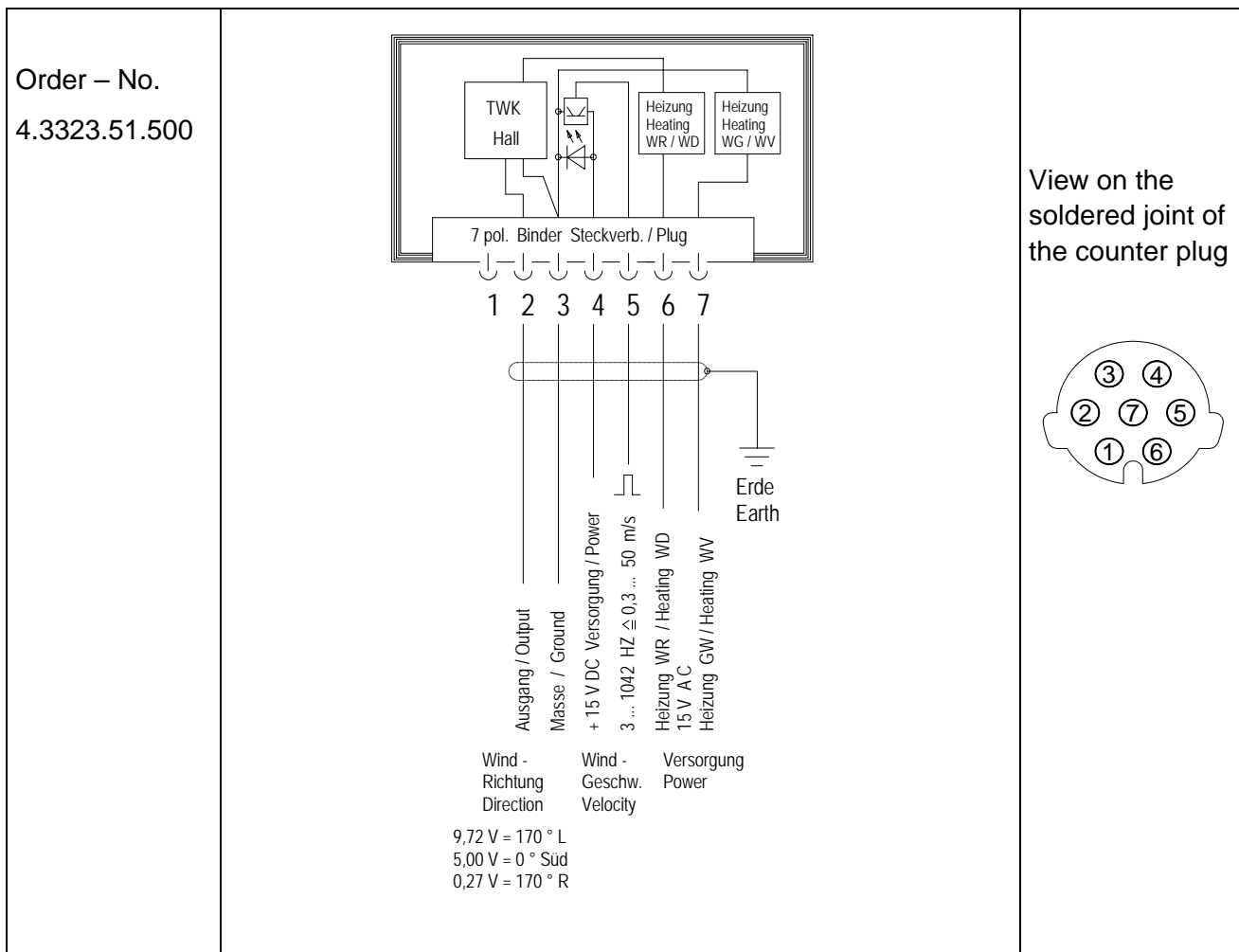
For electrical connection please refer to the connecting diagram.

## 6 Maintenance

If the instrument has been properly mounted, no maintenance is required. Heavy pollution can clog the slits between the rotating and stationary parts of the instrument. These slits must always be clean and unclogged.

After years of use, the ball bearings can suffer from wear and tear. This is expressed in a higher starting torque respectively in the fact that the cup anemometer does not start rotating. If such a defect occurs, we recommend that you return the instrument to the factory for repair.

## 7 Wiring diagram

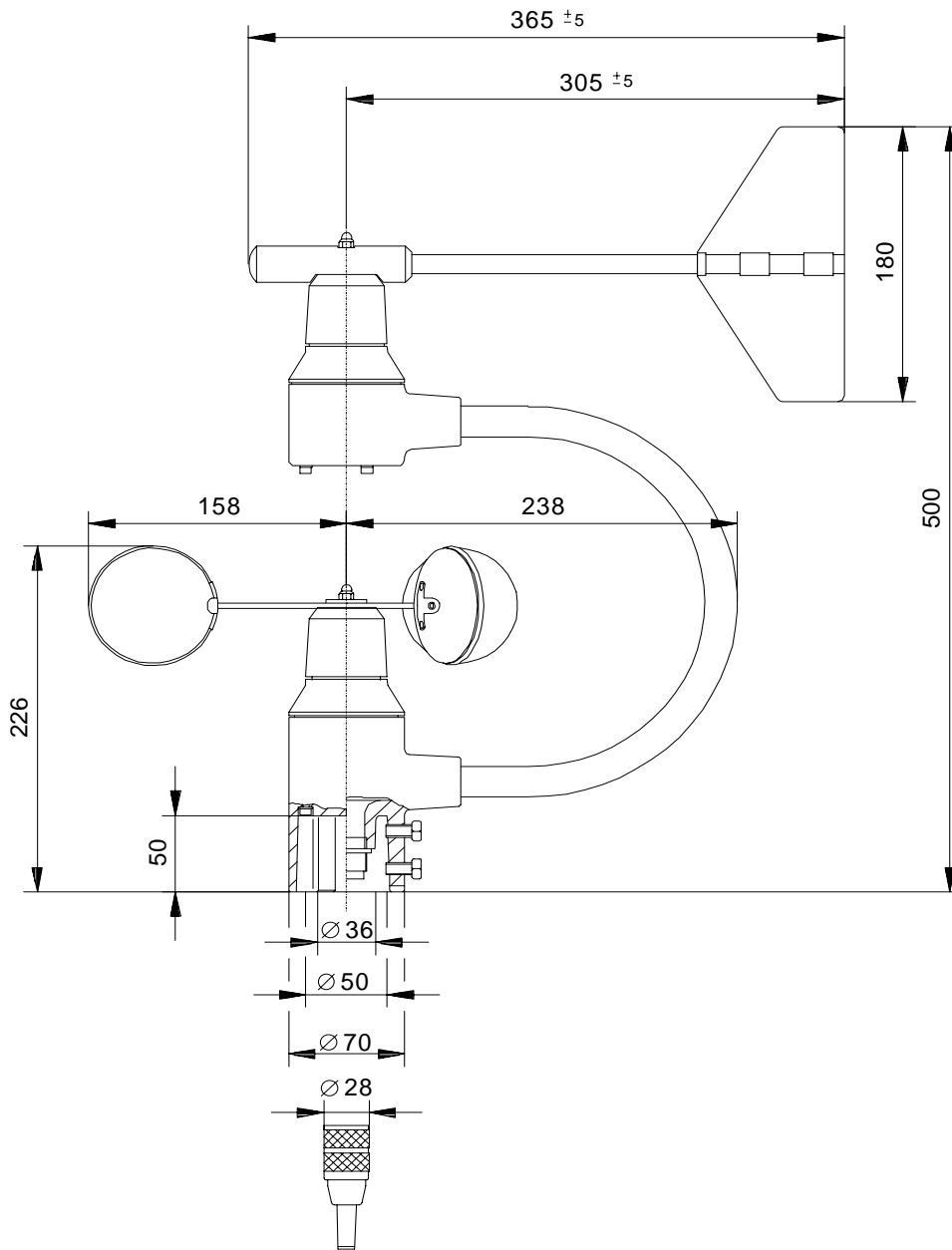


## 8 Technical Data

---

<b>Wind speed</b>	
<b>Order-No.</b>	<b>4.3323.51.400</b>
Measuring range	0,3...50 m/s
Electr. output	3 ... 1042 Hz, 15 V
Accuraccy (of mv.)	± 0,3 m/s bzw. ± 2 % of meas. value
Resolution	0,05 m wind run
Delay distance	< 5 m
Starting speed	0,3 m/s
<b>Wind direction</b>	
Measuring range	170° - 0° - 170° (0° = south)
Electr. output	<b>9,72 V DC (170° left)</b>
	<b>5,00 V DC (0° = south)</b>
	<b>0,27 V DC (170° right)</b>
Starting speed	0,5 m/s at 90° vane deviation
Damping ratio	< 0,2
<b>General</b>	
Max. wind speed	80 m/s
Wind load at 35 m/s	ca. 50 N
Ambient temperature	-35...+80 °C
Operating voltage	15 V DC (Electronic)
Heating	15 V AC, ca.40 W, electronically-regulated
Mounting	onto mast tube 1 ½", for example DIN 2441
Connection	7 pol. plug
Weight	3 kg

# 9 Dimension



	<b>ADOLF THIES GmbH &amp; Co. KG</b>			
	Hauptstraße 76      37083 Göttingen Germany			
	P.O. Box 3536 + 3541      37025 Göttingen			
	Phone ++551 79001-0      Fax ++551 79001-65			
	www.thiesclima.com      info@thiesclima.com			

- Alterations reserved -