

Transducer SH

Instruction for Use 7.1084.... / 7.1184....



Construction and Mode of Operation

The transducer transforms the electrical mV-output signal of a radiation transmitter into a standardized, analogue current- and/or voltage signal, or into a voltage signal corresponding to the physical value.

The pc-board model serves for mounting in a 19"-rack, the plastic wall case is designed for separate mounting

Model

| Order-No. | Meas. range [W/m ²] | Model | Electrical Output |
|---|------------------------------------|-----------------------|---|
| 7.1084.xx.xxx 7.1184.xx.xxx | 0 ... 1300 - 300 ... 1000 | | |
| .00.xxx .10.xxx | | wall case pc-board | |
| .xx.040 .041 .060 .064 .065 .073 .080 .084 .085 .100 .104 .105 | | | 0 ... 20 mA 4 ... 20 mA 0 ... 1 V 0 ... 1,3 V -0,3 ... 1 V 0 ... 5 V 0 ... 20 mA / 0 ... 1 V 0 ... 20 mA / 0 ... 1,3 V 0 ... 20 mA / -0,3 ... 1 V 4 ... 20 mA / 0 ... 1 V 4 ... 20 mA / 0 ... 1,3 V 4 ... 20 mA / -0,3 ... 1 V |

Technical Data

| | |
|-------------------|---|
| Electrical input | : 0...ca. 15 mV (acc. to sensor) |
| Line resistance | : max. 100 Ω each/ core |
| Linearity | : 0,5 % |
| Temperature error | : < + 0,5 % of m.r. within the range 0 ... 40 °C |
| Operating voltage | : 230 V (+ 15 %, - 10%) 48 ... 62 Hz |
| Ambient temp. | : 0 ... 40 °C |

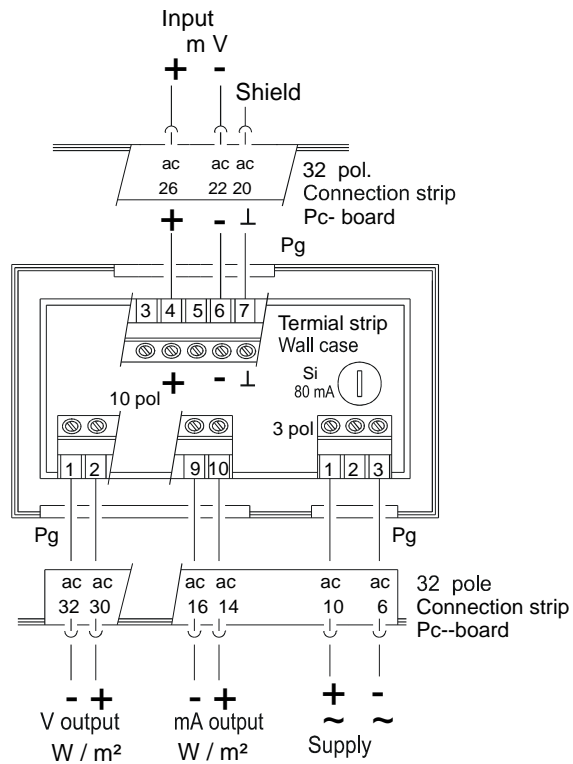
Wall case : Screwed cable gland
Pc-board : Connection strip, 32 pol. acc. to DIN 41612

Dimensions

wall case : 200 x 120 x 75 mm
pc-board : 170 x 100 x 30 mm

Weight : 0,65 kg , resp. 0,25 kg

Connecting Diagram



ADOLF THIES GmbH & Co. KG

Hauptstraße 76 37083 Göttingen Germany
 P.O. Box 3536 + 3541 37025 Göttingen
 Phone ++551 79001-0 Fax ++551 79001-65
 www.thiesclima.com info@thiesclima.com



- Alterations reserved -