

## Instruction for Use

021378/01/09

# *Wind Display LED*

Ship version

4.3251.0x.000 with Digital IF

4.3251.0x.Xxx with Analogue IF



## **ADOLF THIES GmbH & Co. KG**

Hauptstraße 76

Box 3536 + 3541

Phone ++551 79001-0

[www.thiesclima.com](http://www.thiesclima.com)

37083 Göttingen Germany

37025 Göttingen

Fax ++551 79001-65

[info@thiesclima.com](mailto:info@thiesclima.com)

# Contents

<b>1</b>	<b>Model</b> .....	<b>4</b>
<b>2</b>	<b>Application</b> .....	<b>5</b>
<b>3</b>	<b>Display</b> .....	<b>6</b>
<b>4</b>	<b>Recommendation for Side Selection</b> .....	<b>7</b>
<b>5</b>	<b>Installation</b> .....	<b>7</b>
5.1	Mechanical Mounting: .....	7
5.2	Electrical Mounting: .....	8
5.2.1	Connecting Wind Transmitter with digital output: .....	9
5.2.1.1	Pin Assignment for Wind Transmitter with digital output .....	9
5.2.2	Connection of Wind Transmitters with analogue Output:.....	10
5.2.2.1	Pin Assignment for analogue Measuring variable .....	10
5.2.2.2	Pin Assignment for Voltage Supply of analogue Wind Transmitter.....	11
5.2.3	Analogue output for the Parameters Wind Velocity and Wind Direction.....	11
5.2.3.1	Pin Assignment for analogue Output.....	11
5.2.4	Connecting Serial Interface RS422 / RS485:.....	12
5.2.4.1	Pin Assignment RS422 / RS485 .....	12
5.2.4.2	Interface configuration.....	12
5.2.4.3	Termination .....	13
5.2.5	Connecting Supply Voltage .....	14
<b>6</b>	<b>Settings</b> .....	<b>14</b>
6.1	Setting Mode of Operation: .....	15
6.2	Setting Wind Transmitter Type:.....	15
6.3	Setting Data Protocol: .....	16
6.4	Setting Baud rate:.....	16
<b>7</b>	<b>Data Protocol</b> .....	<b>16</b>
<b>8</b>	<b>Operation</b> .....	<b>19</b>
<b>9</b>	<b>Functional Test</b> .....	<b>22</b>
<b>10</b>	<b>Error Message</b> .....	<b>22</b>
<b>11</b>	<b>Maintenance</b> .....	<b>24</b>
<b>12</b>	<b>Technical Data</b> .....	<b>25</b>
<b>13</b>	<b>Dimensional Drawing</b> .....	<b>27</b>
<b>14</b>	<b>EC-Declaration of Conformity</b> .....	<b>28</b>

## **Figures**

Figure 1: display .....	6
Figure 2: Back side 4.3251.0x.000 .....	8
Figure 3: Back side 4.3251.0x.1xx / 0xx.....	8
Figure 4: Example for connection.....	13
Figure 5: Operation .....	19

## **Tables**

Table 1: Models .....	4
Table 2: Wind transmitter connection table .....	9
Table 3: Data Protocol.....	16
Table 4: Instrument parameter .....	21
Table 5: Error messages .....	23

# 1 Model

Designation	Order-No.	Meas. value input	Meas. value output	Operating Voltage
Wind Display LED	4.3251.00.000	- WV: Pulse - WD: Serial synchron or - Serial data protocol	Serial data protocol	230 V AC; 24 V AC; 12...35 V DC
Wind Display LED	4.3251.01.000			115 V AC; 24 V AC; 12...35 V DC
Wind Display LED	4.3251.00.140	0... 20 mA	Serial data protocol	230 V AC; 24 V AC; 12...35 V DC
Wind Display LED	4.3251.00.141	4... 20 mA		
Wind Display LED	4.3251.00.161	0... 10 V*		
Wind Display LED	4.3251.00.173	0... 5 V		
Wind Display LED	4.3251.01.140	0... 20 mA	Serial data protocol	115 V AC; 24 V AC; 12...35 V DC
Wind Display LED	4.3251.01.141	4... 20 mA		
Wind Display LED	4.3251.01.161	0... 10 V*		
Wind Display LED	4.3251.01.173	- 0... 5 V		
Wind Display LED	4.3251.00.040	- WV: Pulse - WD: Serial synchron or - Serial data protocol	0... 20 mA Serial data protocol	230 V AC; 24 V AC; 12...35 V DC
Wind Display LED	4.3251.00.041		4... 20 mA Serial data protocol	
Wind Display LED	4.3251.00.061		0... 10 V Serial data protocol	
Wind Display LED	4.3251.00.073		0... 5 V Serial data protocol	
Wind Display LED	4.3251.01.040		0... 20 mA Serial data protocol	115 V AC; 24 V AC; 12...35 V DC
Wind Display LED	4.3251.01.041		4... 20 mA Serial data protocol	
Wind Display LED	4.3251.01.061		0... 10 V Serial data protocol	
Wind Display LED	4.3251.01.073	0... 5 V Serial data protocol		

**Table 1: Models**

\*Attention: The wind transmitters must be supplied externally by voltage > 13 V..

## 2 Application

---

With the Wind Display LED you are in possession of a modern displaying device designed for the display of the wind direction and wind speed. It offers a high level of reliability and flexibility as well as the optimum display of wind parameters.

For the display, coloured light-diodes (LED's) are used, allowing a good readability with various lighting conditions and distances.

Thanks to an extended dimming function, two different values can be stored as brightness level. This means that individual settings for daytime and night time brightness levels can be called up quickly.

Functions:

- Measurement of the „Relative Wind“ via the wind interface or Ultrasonic-Anemometer (RS422 / RS485).
- Display of the “Relative” wind values.
- Display of the “True” wind values on receipt of an NMEA-protocol 0183 (specification see chapter 7)
- In the “Master/Slave”-operation it is possible to connect up to 10 additional wind displays LED over a distance of up to 1000m.

Equipment:

- RS422 / RS 485 interface for the receipt and output for different data protocols (with 4.3251.0x.000 / 040 / 041 / 061 / 073).  
In the „Master / Slave“ – operation up to 10 other wind display LED can be connected via a distance up to 1000 m.
- Wind interface for the connection of different wind transmitters with digital output (with 4.3251.0x.00)
- Analogue interface for the connection of wind transmitter with analogue output (with 4.3251.0x.1xx)
- Analogue outputs for the parameter wind velocity and wind direction (with 4.3251.0x.040 / 041 / 061 / 073)
- Selectable power supply for the wind display of 230VAC (optionally 115VAC) or 24VAC / 12 - 35V DC (with 4.3251.0x.000 / 1xx / 0xx)
- Supply voltage for wind transmitter with analogue output (with 4.3251.0x.1xx)
- Operation via key button on the front side (with 4.3251.0x.000 / 1xx / 0xx).  
Via a terminal clamp on the back side an external key button can be connected for remote operation.

### 3 Display

#### Wind speed (WS):

The wind speed is indicated as instantaneous value on the red 3-digits-LED-display.

The units of measurements are m/s, km/h, kn and Beaufort. A red lighting LED indicates the selected unit of measurement.

#### Wind direction (WD):

72 rectangular LED's are arranged in a circle to display the wind direction and its variation.

The display of the wind direction is referenced to the centre line of the ship. The wind direction is displayed on the starboard side by a green and on the port side by a red LED. The display of 0° and 180° is done by a yellow LED.

The variation is displayed by an LED-band, "green" on the starboard side, and "red" on the port side. The LED in the LED-band, which marks the wind direction, lights up "yellow".

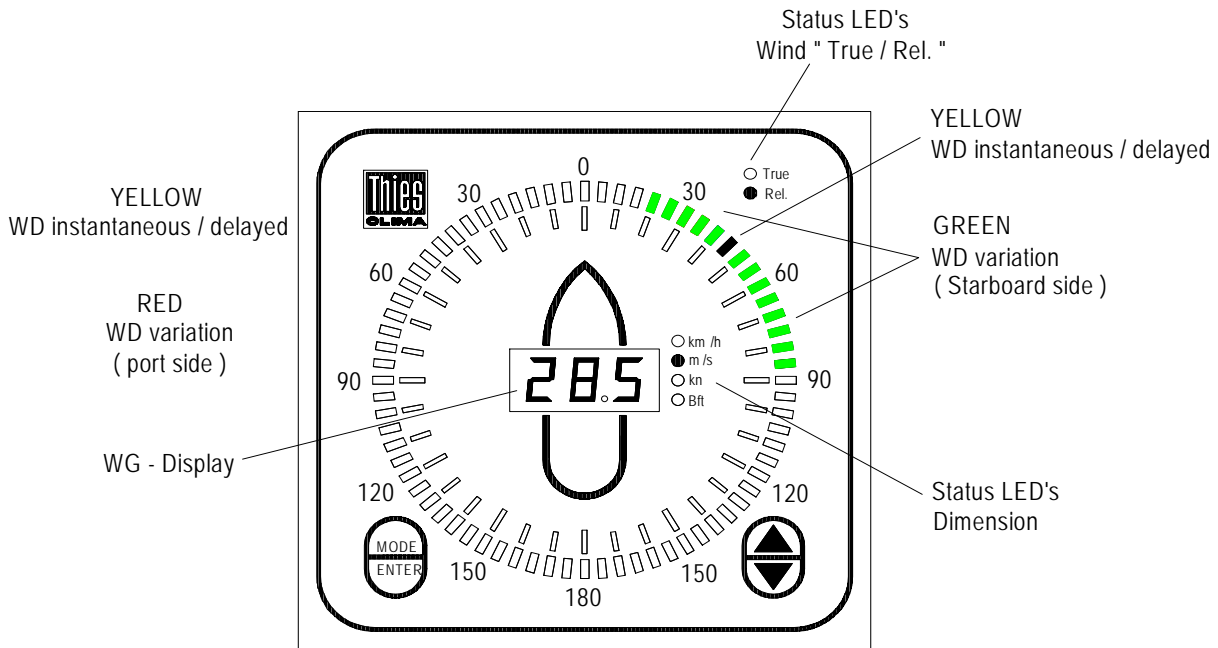


Figure 1: display

The wind speed is displayed as instantaneous value, and the wind direction as delayed value (factory setting).

Displaying the wind direction is possible in four different variants by selecting another operating mode (ref. chapter 6.1).

1. Setting „WD instantaneous“ displays the instantaneous wind direction.
2. Setting “WD delayed” displays the delayed wind direction: The delay is based on an e-function ( $\tau = 6$  sec).

3. Setting “WD instantaneous & variation” displays the instantaneous wind direction as well as the variation. Here, the band of variation ascends in accordance with the instantaneous value of the wind direction. The descending of the variation band is done in a time interval of 1 second in 5°-increments.
4. Setting “WD delayed & variation” displays the delayed wind direction as well as the variation. Here, the band of variation ascends in accordance with the delayed wind direction. The descending of the “variation band” is done in a time interval of 1 second in 5°-increments.

## 4 Recommendation for Side Selection

---

The device is designed for inside installation. If used outside, an additional external housing including the appropriate type of protection is necessary.

---

### **Remark**

*Please pay attention to the recommended temperature range when selecting a side.*

---

## 5 Installation

---

### **Attention**

***The instrument must be mounted and wired only by a qualified expert, who knows and observes the generalities of technics, and applicable regulations and norms.***

---

### **Comment**

*Before installation, the settings of the instrument are possibly to be changed (ref. chapter 6).*

---

### 5.1 Mechanical Mounting:

The Wind display LED is designed for installation in a control panel. The necessary control panel opening must be 138 x 138 mm in size. The scope of supply includes two fixing brackets. After the device has been inserted in the control panel, the fixing brackets are slid into the housing at the rear and screwed into place.

## 5.2 Electrical Mounting:

All connections are on the back side (ref. figure 2 and 3).

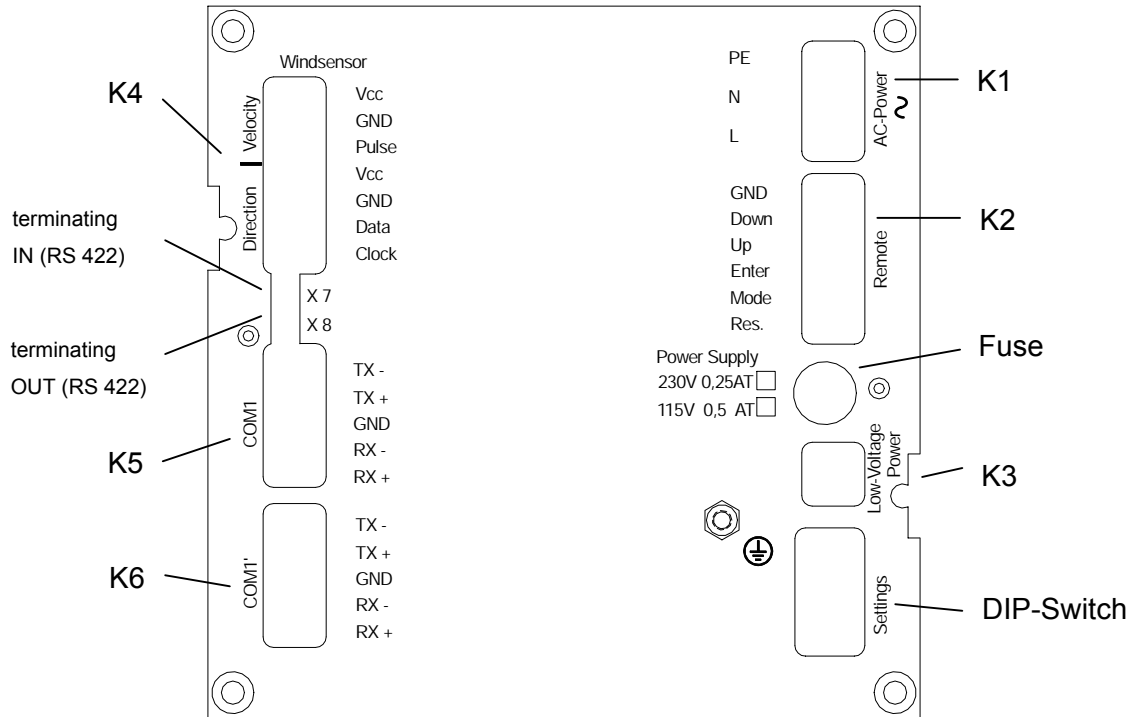
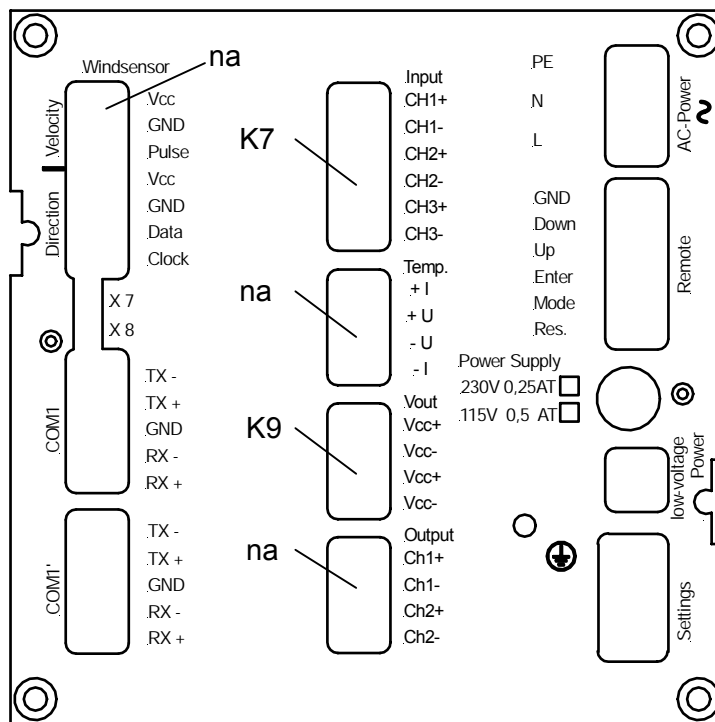


Figure 2: Back side 4.3251.0x.000



- na = not active at 4.3251.0x.1xx

Figure 3: Back side 4.3251.0x.1xx / 0xx



### 5.2.1 Connecting Wind Transmitter with digital output:

- For connection of wind transmitters : Type Classic, Compact, First-Class (ref. table 2).

Transmitter	Signal / PIN						
	Vcc (WS)	GND	Pulse (WS)	Vcc (WD)	GND	DATA (WD)	CLOCK (WD)
4.3336.21.000 4.3336.31.000 4.3336.21.001 4.3336.21.008 4.3336.31.008	1	2	3	4	---	6	5
4.3129.00.000	---	---	---	1	2	3	4
4.3519.00.000	1	2	3	---	---	---	---
4.3303.22.000	1	2	3	---	---	---	---
4.3303.22.007	1	2	3	---	---	---	---
4.3303.22.008	1	2	3	---	---	---	---
4.3303.22.018	1	2	3	---	---	---	---
4.3125.32.100	---	---	---	1	2	3	4
4.3350.00.000 4.3350.10.000	3	2	1	---	---	---	---
4.3150.00.000 4.3150.10.000	---	---	---	3	2	5	4

**Table 2: Wind transmitter connection table**

#### 5.2.1.1 Pin Assignment for Wind Transmitter with digital output

The wind transmitters are connected to the clamping plug **K4**. When performing connection make sure that pairing of the wind transmitter types (direction and speed) is carried out according to chapter 6.2 (Wind transmitter type).

Pin	Clamping Plug K4 Function
1	Vcc
2	GND
3	Pulse (WG)
4	Vcc (WR)
5	GND
6	Data (WR)
7	Clock (WR)

### 5.2.2 Connection of Wind Transmitters with analogue Output:

There are diverse current and voltage inputs available (see **Model** chapter 1) for the connection of wind transmitters with analogue output.

The wind transmitters must be connected always by pairs, and have to deliver the same output (for ex. wind velocity: 4...20 mA, wind direction: 4...20 mA)

The selection of measuring range (for ex. 50 m/s = 20 mA) is carried out on the front side via the MODE-button and the menu "WV measuring range selection" (see **Operation** chapter 8).

The following inputs measuring ranges are available (adjustable at Mode 4):

Meas. range
40m/s
50m/s
60m/s
75m/s

---

**Remark:**

*The analogue outputs are active 10 sec after turning on the wind display or after pressing the reset button.*

---

The error detection for the analogue inputs is carried out acc. To the following criterions:

- Voltage input:  
Exceeding of measuring range causes error message (for ex.  $U(in) > 10V$ )
- Input not connected causes error message
- Current input:  
Exceeding of measuring range causes error message (for ex.  $4mA < I(in) > 20mA$ )

#### 5.2.2.1 Pin Assignment for analogue Measuring variable

Description	Clamp connector: Input (K7) (WV. WD)
CH1+	Wind velocity
CH1-	Wind velocity
CH2+	Wind direction
CH2-	Wind direction
CH3+	-----
CH3-	-----

### 5.2.2.2 Pin Assignment for Voltage Supply of analogue Wind Transmitter

Description	Clamp connector: Vout (K9) Vcc (Wind transmitter)
Vcc+	12V Wind direction
Vcc-	12V Wind direction
Vcc+	12V Wind velocity
Vcc-	12V Wind velocity

### 5.2.3 Analogue output for the Parameters Wind Velocity and Wind Direction

Depending on the **Model** (see chapter 1) the wind display has power- and voltage outputs in pairs.

The scaling of the output measuring range of the wind velocity is carried out individually via the MODE button on the front side and the menu „WV measuring range selection“ (see **Operation** chapter 8).

The following measuring ranges are available (selectable in Mode 4):

Measuring range
40m/s
50m/s
60m/s
75m/s

In case of error the respective output is set to minimum.

---

#### **Remark:**

*After turning on the wind display a search run is started to the connected measuring value input. If the measuring value input is carried out via serial interface (RS422) it must be guaranteed that a correct data telegram has been received within 10 sec after turning on the wind display. Otherwise the wind display switches over to the analogue inputs. Via the reset-button a new search run can be started.*

---

### 5.2.3.1 Pin Assignment for analogue Output

Description	Clamping plug: Output (K10) (WV. WD)
CH1+	Wind velocity
CH1-	Wind velocity
CH2+	Wind direction
CH2-	Wind direction

### 5.2.4 Connecting Serial Interface RS422 / RS485:

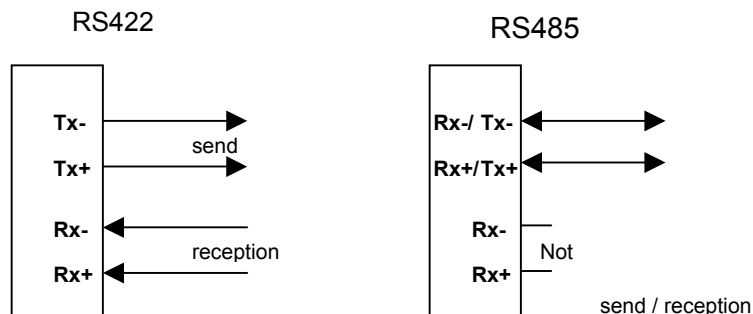
- For wind transmitters with serial data transmission (Ultrasonic- Anemometer 4.38xx...., Wind Direction Transmitter First Class 4.3150.x0.400) or data acquisition or transmission systems.

#### 5.2.4.1 Pin Assignment RS422 / RS485

The clamping plugs K5/K6 are used for connection. The two interface clamping plugs are connected in parallel.

Pin	Clamping plug K5 COM1	Clamping plug K6 COM1'
1	TX- (RX-)	TX- (RX-)
2	TX+ (RX+)	TX+ (RX+)
3	GND	GND
4	RX-	RX-
5	RX+	RX+

#### 5.2.4.2 Interface configuration



The selection of the interface configuration is carried out via the key mode (see 8 „operation“). In the operation mode RS485 the output of the requirement protocol is carried out cyclically for the reception of the VDT-telegram from the ultrasonic.

### 5.2.4.3 Termination

For termination using long cables the rear of the wind display is equipped with contact pins X7, which can be bridged from outside using a jumper if required (ref. figure 4).

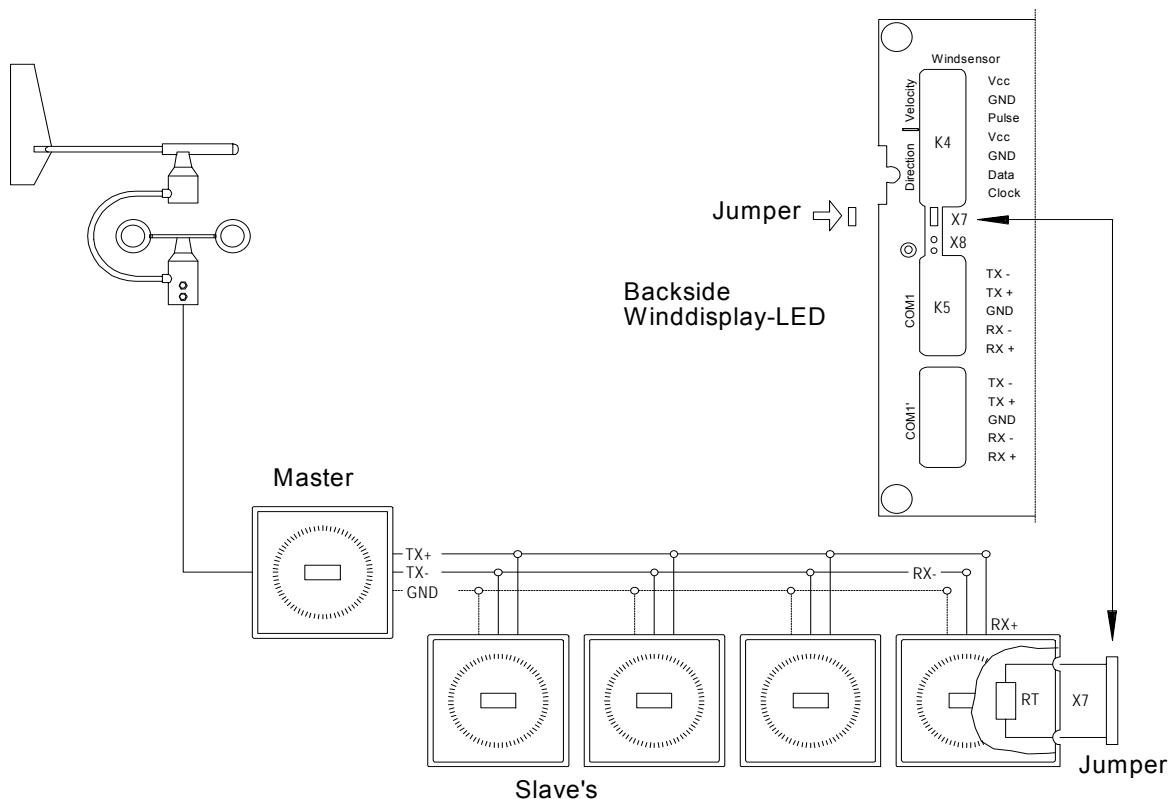


Figure 4: Example for connection

#### Notes for RS422 / RS485:

Faults on long cables may affect serial transmission, with the serial interface even being destroyed by over-voltages. We therefore recommend:

- The transmission line should be shielded. The shield must be connected to a central earth potential.
- With cable connections longer than 100 m twisted pairs should be used for the signal lines +RX/-RX and +TX/-TX.
- The ground pins (GND) should also be connected in addition to the twisted signal lines. If major differences in potential between the transmitter and receiver result in excessive compensating currents, isolating interface adapters have to be used.
- The cable must always be terminated with its surge impedance. An impedance of 100 Ω to 600 Ω at the receiver is suitable for this purpose (depending on the cable). With more than one receiving Wind Display LEDs (Slaves) the resistor must be located at the receiver furthest from the transmitter.
- When a jumper (X7) is inserted at the receiver (Slave) the integrated termination resistor (RT=200Ω) is activated (ref. figure 4.).

## 5.2.5 Connecting Supply Voltage

- For wind display **4.3251.00.000**

Pin	Clamping plug K1 AC - Power	
1	PE	
2	N	230V AC
3	L	230V AC

or

Pin	Clamping plug K3 low voltage Power
1	24V AC/DC*
2	24V AC/DC*

- For wind display **4.3251.01.000**

Pin	Clamping plug K1 AC - Power	
1	PE	
2	N	115V AC
3	L	115V AC

or

Pin	Clamping plug K3 low voltage Power
1	24V AC/DC*
2	24V AC/DC*

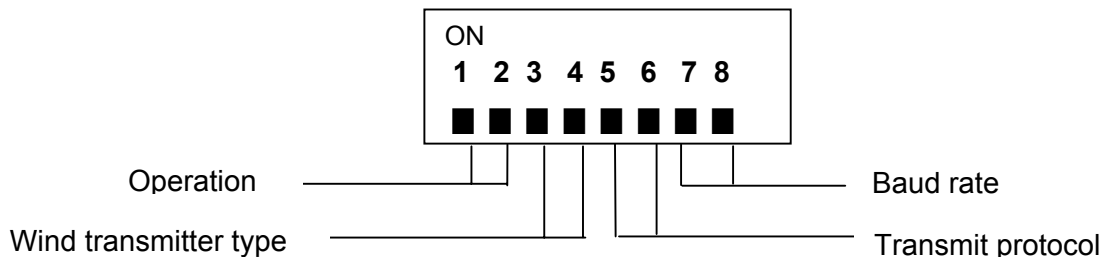
\* see chapter 12

## 6 Settings

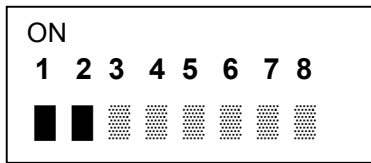
On the rear of the device there is a 8-fold DIP switch ( S1...S8 ) for the basic setting of different parameters (ref. figure 2)

### Remark

A restart has to be carried out after any change in the switch position. Restart is performed by activating the "Info Reset" button or interrupting the power supply.



## 6.1 Setting Mode of Operation:



Mode of Operation	S1	S2
WD instantaneous	On	On
WD delayed	Off	On
WD instant. & variation	On	Off
WD delayed & variation *	Off	Off

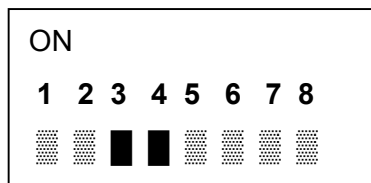
\*Delivery state: S1 = Off, S2 = Off

### **Attention:**

*The setting is accepted only after a restart!*

## 6.2 Setting Wind Transmitter Type:

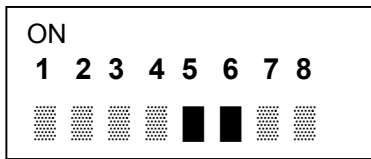
The wind transmitter and wind transmitter pairings are assigned using switches S3 and S4.



Wind transmitter / Wind transmitter pairing	S3	S4
<b>Wind transmitter type „Classic“</b> 4.3336.21.000 4.3336.31.000 / 001 4.3303.22.000 with 4.3125.32.100 4.3303.22.007 with 4.3125.32.100	On	On
<b>Wind transmitter type „Compact“</b> 4.3519.00.000 with 4.3129.00.000		
<b>Wind transmitter type „Classic“</b> 4.3336.21.008 4.3336.31.008 4.3303.22.008 with 4.3125.32.100 4.3303.22.018 with 4.3125.32.100	Off	On
<b>Wind transmitter type „First-Class“</b> 4.3350.x0.000 with 4.3150.x0.000	On	Off
<b>Wind transmitter type „WD-First-Class“ with Wv-signal acquisition</b> 4.3150.x0.400 <b>Note:</b> Is valid only with supply from the Wind display LED	Off	Off

### 6.3 Setting Data Protocol:

For the serial communication four protocols are available for selection in Master / Slave – operation (ref. chapter 7.).

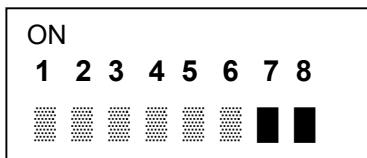


Telegram Type	S5	S6
Pn0	On	On
Pn1**	Off	On
Pn2	On	Off
Pn3 *	Off	Off

\*Delivery state: S5 = Off, S6 = Off

\*\* The telegram (VDT ultrasonic) is not sent in MODE 3-2

### 6.4 Setting Baud rate:



Baud rate	S7	S8
1200	On	On
2400	Off	On
4800 *	On	Off
9600	Off	Off

\*Delivery state: S7 = On, S8 = Off

**Attention:**

*The setting is accepted only after a restart!*

## 7 Data Protocol

### Sending:

For the data output four protocols are available for selection (Pn0..3). They can be selected through the 8-fold DIP-switch (ref. chapter 6.3)

Type	Protocol	Format	Specification
Pn0	LED-Standard	<STX>XXX.X XXX*hh<CR><ETX>	7E1
Pn1	Ultrasonic	<STX>XX.X XXX xxx.x xx*hh<CR><ETX>	8N1
Pn2	NMEA0	\$WIMWV,xxx.x,a,xx.x,a,A*hh<CR><LF>	8N1
Pn3	NMEA1	\$WIMWV,xxx.x,a,xxx.x,a,A*hh<CR><LF>	8N1

Table 3: Data Protocol



---

Note: <STX> = 0x02, <ETX> = 0x03, <CR> = 0x0D, <LF> = 0x0A

Note: **X** → number 0...9 or F (error)

Note: **x** → number 0...9

Note: „\*“ = check sum identification

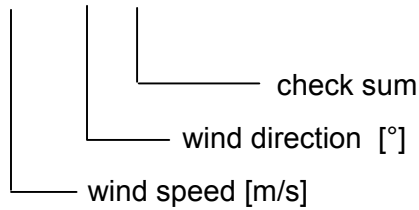
Note: **hh**  $h_1$  = High-Byte,  $h_2$  = Low-Byte

---

## Protocol specification

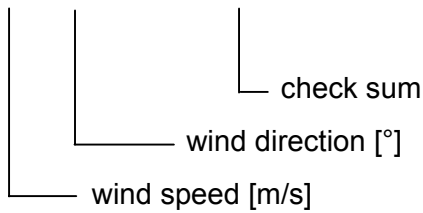
### Pn0

<STX>xxx.x xxx\*hh<CR><ETX>



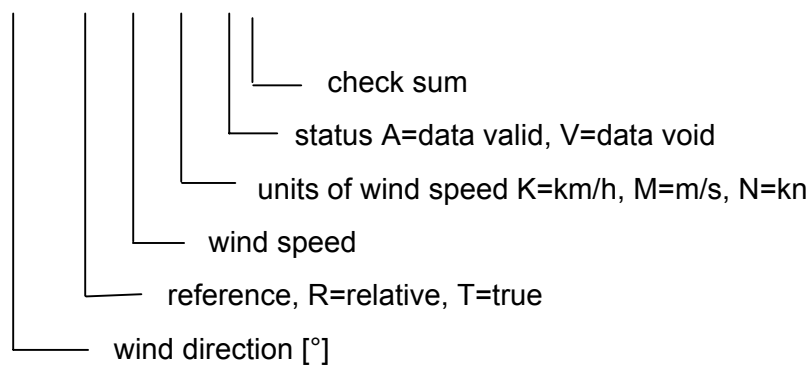
### Pn1

<STX>xx.x xxx xxx.x xx\*hh<CR><ETX>



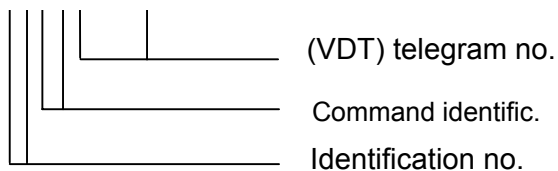
### Pn3(Pn2)

\$WIMWV,xxx.x,a,xxx.x,a,A\*hh<CR><LF>



## VDT (Ultrasonic) Requirement Protocol

00TR00002<CR>



## Receiving

The protocols given in table 3 can be received automatically *without selecting* the protocol. For this, it is only necessary to set the respective baud rate (ref. chapter 6.4).

An „a“ in the status of a received telegram requires the display of the respective wind values.

## Checksum in the Protocol

The calculation of the check sum in the different protocols is carried out between the characters <STX> resp. ‚\$‘ and ‚\*‘. The check sum consists of the XOR-relation of all characters between the separator STX> resp. ‚\$‘ and ‚\*‘.

Two ASCII-characters (High and Low nibble) with a value range from 0...F (hexadecimal) are generated from the check sum. The character with the highest value is transmitted first.

Example standard telegram:	Wind speed:	5.2 m/s
	Wind direction:	125°
	Telegram:	"(STX) 5.2 125*1F(CR)(ETX)"

## 8 Operation

Operation of the Wind display LED is performed from the front. 5 buttons are available for operation as can be seen from the figure below. Whenever a button is pressed, this is acknowledged by a short beep.

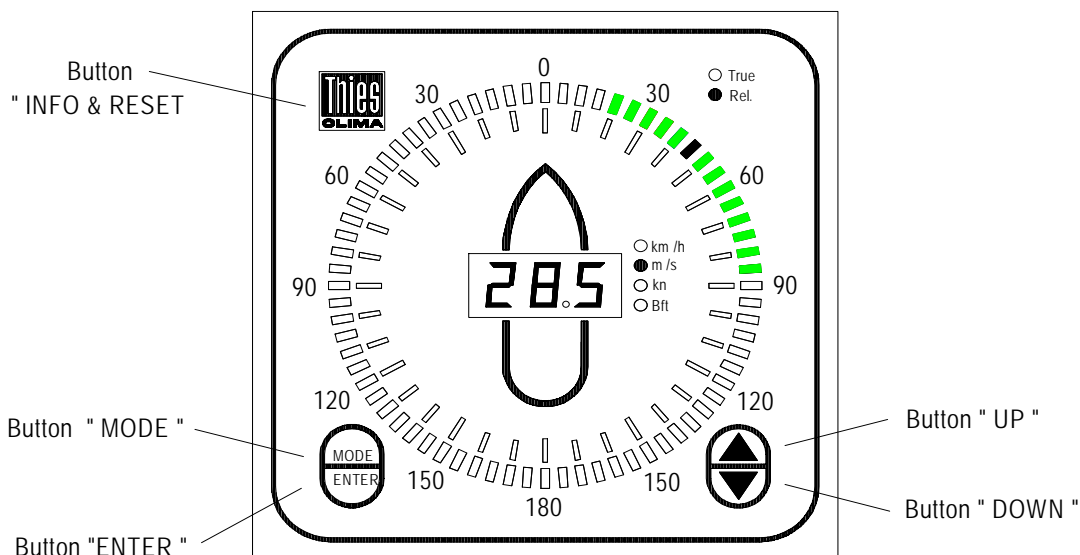


Figure 5: Operation

### Button functions:

#### Button “▲”(UP) and Button “▼”(DOWN):

The buttons ▲ and ▼ are used to select the functions for entering **MODE 0,1 and 2**.

#### Button „ENTER“ :

The button **ENTER** is used to accept the respective setting into **MODE (n)**. Afterwards, the display enters automatically **MODE 0**.

#### Button „MODE“:

The **button MODE** is used to advance to the next MODE setting functions. The associated Status LED flashes.

---

#### **Remark**

*After a restart the display automatically enters mode **MODE 0***

---

MODE	MENU
<b>MODE 0</b>	<p><b>Setting the brightness:</b> The <b>buttons ▲ and ▼</b> are used to dim the <b>brightness level</b> of the LED display in 18 steps.</p> <p><b>Setting the Max- and MIN- brightness:</b> If the buttons ▲ or ▼ and the "Enter button" are pressed simultaneously, the brightness level previously selected can be stored as a MAX and MIN value.</p> <p><b>Calling up the Max- und MIN- brightness:</b> The stored brightness values can be called up by pressing either the button ▲ or ▼ for 3 seconds.</p>
<b>MODE 1</b>	<p><b>Setting the Wind Speed- Dimension:</b> The <b>buttons ▲ and ▼</b> are used to select the <b>WS-Dimension</b> (km/h, m/s, kn and Beaufort).</p>
<b>MODE 2</b>	<p><b>Setting the Wind Display:</b> The <b>buttons ▲ &amp; ▼</b> are used for the display of the REL or TRUE wind. Condition: The „Rel“ and „True“ values are serially available.</p>
<b>MODE 3</b>	<p><b>Setting of the COM1 (RS422 / RS485)</b> Through the buttons <b>▲ &amp; ▼</b> the function is set.</p> <p>3 – 0 :COM1 = RS422 (full-duplex) Standard 3 – 1 :COM1 = RS422 (full-duplex) Only reception of \$WIMWV.. Rel / True 3 – 2 :COM1 = RS485 (half duplex) Requiring the VDT-telegram from Ultrasonic</p>
<b>*MODE 4</b>	<p><b>WV- Measuring range selection (analogue wind transmitter or analogue output)</b> With <b>buttons ▲ &amp; ▼</b> measuring range is selected</p> <p>4 – 0 : 40m/s 4 – 1 : 50m/s 4 – 2 : 60m/s 4 – 3 : 75m/s</p>

**\*MODE4 is available only in conjunction with analogue inputs or analogue output**

#### **Button „INFO & RESET“:**

When the button **INFO & RESET** is pressed, a LED test starts.

- All LED's light up
- Display of device parameters (ref. table 4)

Restart of wind display LED.

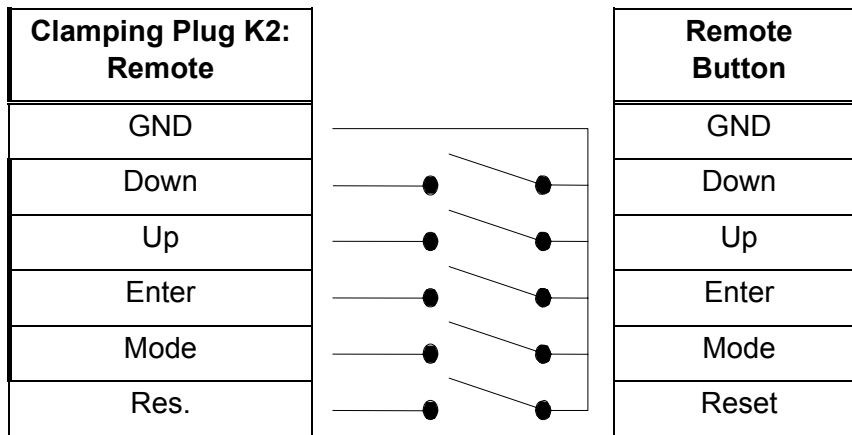
Example	
Device parameter	Display
<b>Software</b>	
Version No. (e.g.)	r 1.1
<b>Input type</b>	
Wind transmitter input	An0
COM interface	An1
<b>Wind transmitter type</b>	
Classic	CL1
Classic	CL2
Compact	CoP
First-Class	F-C
<b>Input telegram</b>	
NMEA REL/TRUE	Pr1
<b>Output telegram</b>	
LED Standard	Pn0
Ultrasonic	Pn1
NMEA0	Pn2
NMEA1	Pn3
<b>Baud rate</b>	
1200	b12
2400	b24
4800	b48
9600	b96
<b>*analogue inputs</b>	
0..5V/0..10V	u5
0..20mA	i20
4..20mA	i42
<b>*analogue output</b>	
0..20mA	Au1
4..20mA	Au2
0..5V	Au3
0..10V	Au4

**Table 4: Instrument parameter**

**\*Display only when analogue inputs and analogue outputs are available**

## External Operation

In addition to operation from the front remote control of the wind display LED is also possible using the rear clamping plug **K2 (Remote)**, and external buttons for remote control. The buttons for remote control are not included in the scope of supply.



## 9 Functional Test

On restarting or activating the button **INFO & RESET** (ref. chapter 8) the wind display LED carries out a number of test procedures. In case of an error the display shows an error-code (ref. chapter 10). To run a full test on the wind interface no wind transmitter should be connected.

## 10 Error Message

If an error is detected while a program is running, the display will show the relevant error code for min. 3 seconds or as long as the error is present.

Error-Code	Error	Comment/Action
<b>E01</b>	Internal Vcc 5V	Instrument defect: send in for checking
<b>E02</b>	Vcc Wind transmitter	Disconnect wind transmitter, restart instrument. If error is still indicated, send instrument in for checking. Otherwise connect wind transmitters one after the other, and detect the defect wind transmitter
<b>E03</b>	Icc WS	Check cables and connections of wind speed transmitter. If error message is still existing, wind transmitter is probably defect
<b>E04</b>	Icc WD	Check cables and connections of wind transmitter. If error message is still existing, wind transmitter is probably defect
<b>E05</b>	WS-Interface	Instrument defect: send in for checking
<b>E06</b>	WD-Interface	Instrument defect: send in for checking
<b>E07</b>	WD-Serial	Check data-connection/-cable of the wind direction transmitter If error message is still existing, wind transmitter is probably defect
<b>E08</b>	WS-Overflow	1.Check setting of wind transmitter type

		2. Check connection and cable If error message is still existing, wind transmitter is probably defect
<b>E09</b>	Timeout (COM)	1. Check setting of Baud rate 2. Check R422 connections/cables Rx+ & Rx-. 3. If error message is still existing, connect Rx+ & Rx- to Tx+ & Tx- at the terminal strip. 4. If no error message is existing, the transmitter is defect 5. If error message is still existing, send instrument in for checking
<b>E10</b>	SIN-Buffer overflow	Check transmitted protocol
<b>E11</b>	Protocol format	Check transmitted protocol
<b>E12</b>	Check sum	Check transmitted protocol
<b>E13</b>	WS & WD error	Failure of wind transmitter at "Master" wind transmitter LED
<b>E14</b>	WS "FF.F"	Failure of wind speed transmitter at "Master" wind transmitter LED
<b>E15</b>	WD "FFF"	Failure of wind direction transmitter at "Master" wind transmitter LED
<b>E16</b>	REL/TRUE error	Check transmitted protocol (error twice „a“ in the telegram)
<b>E17</b>	VDT protocol	No reception from ultrasonic - check connection (RS485 half-duplex)
<b>E20</b>	WS U/I range	WG analogue input: U/I meas. range exceeded
<b>E21</b>	WD U/I range	WR analogue input: U/I meas. range exceeded
<b>E50</b>	Syntax-Error	Instrument defect, restart possibly
<b>E99</b>	Watchdog	Temporary failure if error message is displayed once for 3 sec. If error message occur oftentimes, instrument is defect

**Table 5: Error messages**

# 11 Maintenance

---

The wind display LED is maintenance-free

## **Cleaning**

To clean the face plate and housing a damp cloth should be used without chemical cleaning agents.

## **Storage**

The wind display LED should be stored in a dry dust-free room at temperatures between -20.. + 50°C. We recommend storing the device in a box.

## **Fuse**

There is a mains fuse on the rear of the wind display LED. The fuse holder can be opened using a screwdriver.

### **Attention**

*In case of a defect only the following fuses should be used:*

*230V ; 0,25 A slow for wind display 4.3250.00.000/1xx*

*115V.; 0,5 A slow for wind display 4.3250.01.000/1xx*



## 12 Technical Data

### Wind transmitter inputs (digital)

Wind direction	Input	Thies Serial Synchronous
	Type	Compact 4.3129.00.000 Classic 4.3336.x1.00x Classic 4.3125.32.100 First Class 4.3150.x0.000
	Sampling rate	10Hz
Wind speed	input	Frequency
	level (Ua)	Ua ≤ 1V , Ua ≥ 3.3V
	Frequency (max)	Compact 1000 Hz Classic 1550 Hz Classic 850 Hz First Class 1600 Hz
	Type	Compact 4.3519.00.000 Classic 4.3303.22.000/007/008/018/4.3336.x1.00x First-Class 4.3350.x0.000
	Sampling rate	1Hz
Wind transmitter supply	Vcc WR / WG	5.1... 5.7 V
	Icc max	60mA

### Wind transmitter input (analogue)

Wind velocity	Input	0..5V / 0..10V / 0..20mA / 4..20mA
	Measuring range	40m/s, 50m/s, 60m/s, 75m/s selectable
Wind direction	Input	0.. 2V, 0..5, 0.. 10V, 0.. 20mA, 4.. 20mA
	Measuring range	0..360°
WV / WD	Resolution	0.06% @ 2V, 0.025% @ 5V, 0.049% @ 10V 0.049% @ 0..20mA, 0.06% @ 4..20mA
	Load	125Ω (input 0/4..20mA)
	Input resistance	>1MΩ (input 2V,5V); 20kΩ (input 10V)
Wind transmitter supply (only with 4.3251.0x.1xx)	Vcc WV/WD	12 V
	Icc max	80 mA

### Output (analogue)

Wind velocity	Output	0..5V / 0..10V / 0..20mA / 4..20mA
	Meas. range	40m/s, 50m/s, 60m/s, 75m/s adjustable
Wind direction	Output	0..5, 0.. 10V, 0.. 20mA, 4.. 20mA
	Meas. range	360 Grad
WV / WD	Resolution	0.05% @ 5V, 0.03% @ 10V 0.1% @ 0..20mA, 0.1% @ 4..20mA
	Accuracy	U(V) = ±0,3% I(mA) = ±0,3%
	Load ( I )	≤ 400Ω
	Load ( U )	>50kΩ (output 0..10V), >1kΩ (output 0...5V)

## Interface

Digital Interface		EN 61162-1
	Type	RS422 / RS485
Data format	Output	7E1, 8N1
	Input	7E1, 8N1, 7O1 (parity bit is ignored)
	Baud rate	1200, 2400, 4800, 9600 Bd

## Operating Voltage

	Mains	230V AC ( with 4.3250.00.000 / 1xx) 115V AC ( with 4.3250.01.000 / 1xx)
	Mains fuse	0,25 A (slow) resp. 0,5 A (slow)
	Low voltage	18... 28 V AC 12... 35 V DC
	Current consumption	Max. 1000mA at 12V DC

## Display

Wind speed	Dimension	m/s, kn, km/h, Bft
	WS - Display	3 digit LED, height 15mm
	Resolution	0,1 m/s 0,1 kn from 100kn 1kn 1 km/h 1 Bft
Wind direction	Resolution	5 °
	LED's	72; 2 x 4mm, colour: red, green
	Tracking time of variation	1 increment /sec
	WD-delay	T = 6 sec.

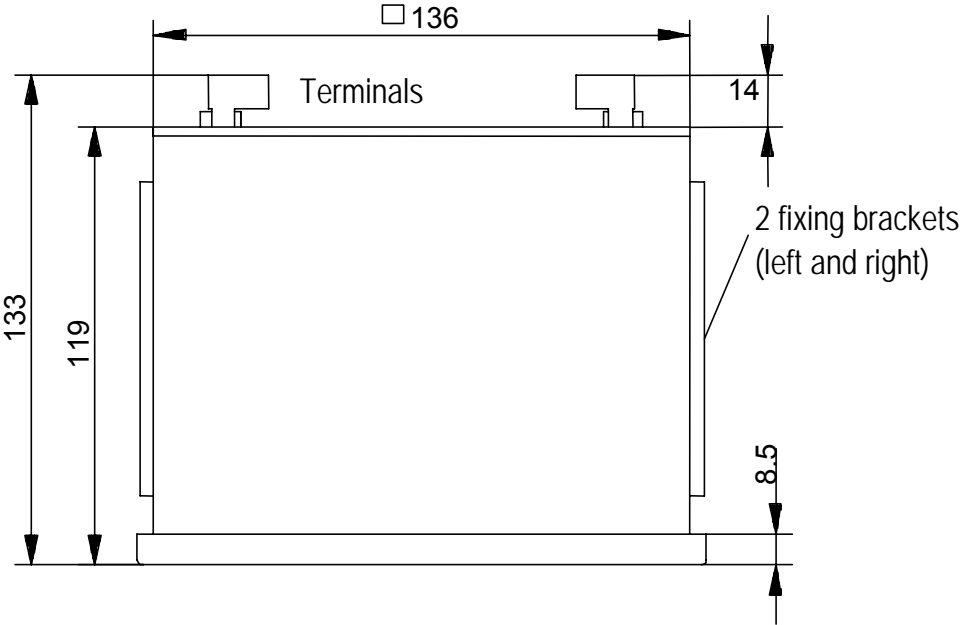
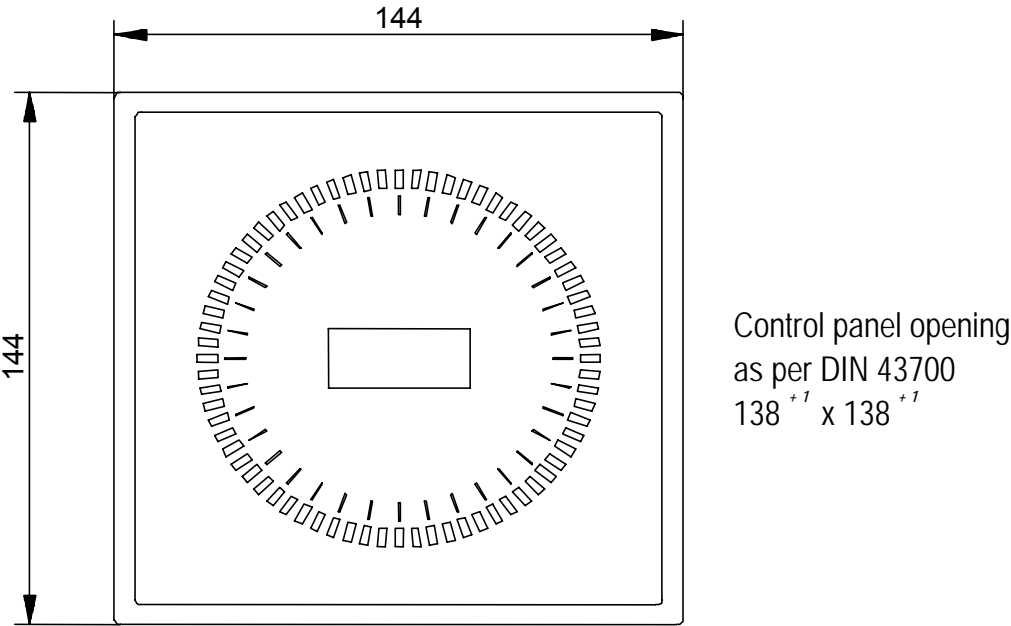
## General

	Temperature range	-10...+50 °C
	Humidity range	Non-condensing
	EMC	EN 60945, EN 61000-6-2, EN 61000-6-3
	Vibration	EN 60945, IEC 60068-2-6
	Environmental test	EN 60945
	Guard band of compass	EN 60945 Safe distance to the Standard- Magnetic- compass 0.50 m Steering- Magnetic- compass 0.35 m

## Housing

	Material	Aluminium
	Dimensions	144 x 144 mm Depth: 119 mm
	Weight	1,5 kg
	Protection	IP23; EN 60529

# 13 Dimensional Drawing



# 14 EC-Declaration of Conformity

Document-No.: **002003** Month: 01 Year: 09  
Manufacturer: **ADOLF THIES GmbH & Co. KG**  
Hauptstr. 76  
D-37083 Göttingen  
Tel.: (0551) 79001-0  
Fax: (0551) 79001-65  
email: Info@ThiesClima.com

Description of Product: **Wind Display LED**

Article No.	<b>4.3250.00.000</b>	<b>4.3250.00.040</b>	<b>4.3250.00.041</b>	<b>4.3250.00.061</b>
<b>4.3250.00.073</b>	<b>4.3250.00.140</b>	<b>4.3250.00.141</b>	<b>4.3250.00.161</b>	<b>4.3250.00.173</b>
<b>4.3250.00.900</b>	<b>4.3250.01.040</b>	<b>4.3250.01.041</b>	<b>4.3250.01.061</b>	<b>4.3250.01.073</b>
<b>4.3250.01.000</b>	<b>4.3250.01.140</b>	<b>4.3250.01.141</b>	<b>4.3250.01.161</b>	<b>4.3250.01.173</b>
<b>4.3250.01.900</b>	<b>4.3251.00.000</b>	<b>4.3251.00.001</b>	<b>4.3251.00.002</b>	<b>4.3251.00.040</b>
<b>4.3251.00.041</b>	<b>4.3251.00.061</b>	<b>4.3251.00.073</b>	<b>4.3251.00.140</b>	<b>4.3251.00.141</b>
<b>4.3251.00.161</b>	<b>4.3251.00.173</b>	<b>4.3251.01.000</b>	<b>4.3251.01.001</b>	<b>4.3251.01.002</b>
<b>4.3251.01.040</b>	<b>4.3251.01.041</b>	<b>4.3251.01.061</b>	<b>4.3251.01.073</b>	<b>4.3251.01.140</b>
<b>4.3251.01.141</b>	<b>4.3251.01.161</b>	<b>4.3251.01.173</b>		

specified technical data in the document: **021386/01/09; 021342/01/00; 021407/02/08; 021459/07/05**

The indicated products correspond to the essential requirement of the following European Directives and Regulations:

2004/108/EC	DIRECTIVE 2004/108/EC OF THE EUROPEAN PARLIAMENT AND OF THE COUNCIL of 15 December 2004 on the approximation of the laws of the Member States relating to electromagnetic compatibility and repealing Directive 89/336/EEC
2006/95/EC	DIRECTIVE 2006/95/EC OF THE EUROPEAN PARLIAMENT AND OF THE COUNCIL of 12 December 2006 on the harmonisation of the laws of Member States relating to electrical equipment designed for use within certain voltage limits
2002/75/EC	COMMISSION DIRECTIVE 2002/75/EC of 2 September 2002 amending Council Directive 96/98/EC on marine equipment
552/2004/EC	Regulation (EC) No 552/2004 of the European Parliament and the Council of 10 March 2004 on the interoperability of the European Air Traffic Management network (the interoperability Regulation)

The indicated products comply with the regulations of the directives. This is proved by the compliance with the following standards:

Reference number	Specification
IEC 61000-6-2: 2005	Electromagnetic compatibility Immunity for industrial environment
IEC 61000-6-3: 2006	Electromagnetic compatibility Emission standard for residential, commercial and light industrial environments
IEC 61010-1: 2001	Safety requirements for electrical equipment for measurement, control and laboratory use. Part 1: General requirements
IEC 60945: 2002	Maritime navigation and radiocommunication equipment and systems Part 8.7 Vibration Part 8.12 Test Kb: Salt mist, cyclic (sodium, chloride solution) Part 9 Test of emission Part 10 Test of immunity Part 11.2 Safe distance to magnetic-compass Part 12.1 Degrees of protection provided by enclosures

Place: Göttingen

Date: 23.01.2009

Legally binding signature:

issuer:

.....  
Wolfgang Behrens, General Manager

.....  
Joachim Beinhorn, Development Manager

This declaration certifies the compliance with the mentioned directives, however does not include any warranty of characteristics. Please pay attention to the security advises of the provided instructions for use.





## **ADOLF THIES GmbH & Co. KG**

Hauptstraße 76 37083 Göttingen Germany  
P.O. Box 3536 + 3541 37025 Göttingen  
Phone ++551 79001-0 Fax ++551 79001-65  
www.thiesclima.com info@thiesclima.com



- Alterations reserved -