

## Instruction for Use

021754/04/16

### ***Wind Direction Transmitter „First Class“***

- Device with digital output, RS 485
- Wind velocity signal acquisition

**4.3151.x0.400**



### **ADOLF THIES GmbH & Co. KG**

Hauptstraße 76                      37083 Göttingen Germany  
Box 3536 + 3541                      37025 Göttingen  
Phone +49 551 79001-0              Fax +49 551 79001-65  
www.thiesclima.com                  info@thiesclima.com

## **Contents**

1	Models available .....	4
2	Application .....	4
3	Mode of Operation .....	5
4	Recommendation Site Selection / Standard Installation .....	5
5	Installation.....	6
5.1	Wind Vane Mounting .....	6
5.2	Mechanical Mounting.....	7
5.2.1	North Alignment .....	8
5.3	Electrical Mounting .....	9
5.3.1	Cable .....	9
5.3.1.1	Cable Recommendation .....	9
5.3.2	Cable Shield.....	9
5.3.2.1	Connecting Recommendation for the Cable Shield.....	9
5.3.3	Plug and Cable Mounting .....	10
6	Connecting Diagram .....	11
6.1	Example Connection Diagram .....	12
7	Serial Interface (RS485).....	12
8	Placing into operation.....	13
9	Serial Communication .....	13
10	List of Commands.....	14
11	Commands and Description.....	14
	Command KY.....	14
	Command TR.....	15
	Command BR .....	15
	Command TT .....	15
	Command OR .....	16
	Command ID.....	16
12	Data Telegram .....	17
13	Maintenance .....	17
14	Technical Data.....	18
15	Dimensional drawing.....	19
16	Accessories .....	20
17	EC-Declaration of Conformity .....	21

## Safety Instructions

- Before operating with or at the device/product, read through the operating instructions. This manual contains instructions which should be followed on mounting, start-up, and operation. A non-observance might cause:
  - failure of important functions
  - endangerment of persons by electrical or mechanical effect
  - damage to objects
- Mounting, electrical connection and wiring of the device/product must be carried out only by a qualified technician who is familiar with and observes the engineering regulations, provisions and standards applicable in each case.
- Repairs and maintenance may only be carried out by trained staff or **Adolf Thies GmbH & Co. KG**. Only components and spare parts supplied and/or recommended by **Adolf Thies GmbH & Co. KG** should be used for repairs.
- Electrical devices/products must be mounted and wired only in a voltage-free state.
- **Adolf Thies GmbH & Co KG** guarantees proper functioning of the device/products provided that no modifications have been made to the mechanics, electronics or software, and that the following points are observed:
- All information, warnings and instructions for use included in these operating instructions must be taken into account and observed as this is essential to ensure trouble-free operation and a safe condition of the measuring system / device / product.
- The device / product is designed for a specific application as described in these operating instructions.
- The device / product should be operated with the accessories and consumables supplied and/or recommended by **Adolf Thies GmbH & Co KG**.
- Recommendation: As it is possible that each measuring system / device / product may, under certain conditions, and in rare cases, may also output erroneous measuring values, it is recommended using redundant systems with plausibility checks for **security-relevant applications**.

## Environment

- As a longstanding manufacturer of sensors Adolf Thies GmbH & Co KG is committed to the objectives of environmental protection and is therefore willing to take back all supplied products governed by the provisions of "*ElektroG*" (German Electrical and Electronic Equipment Act) and to perform environmentally compatible disposal and recycling. We are prepared to take back all Thies products concerned free of charge if returned to Thies by our customers carriage-paid.
- Make sure you retain packaging for storage or transport of products. Should packaging however no longer be required, please arrange for recycling as the packaging materials are designed to be recycled.



## Documentation

- © Copyright **Adolf Thies GmbH & Co KG**, Göttingen / Germany
- Although these operating instruction has been drawn up with due care, **Adolf Thies GmbH & Co KG** can accept no liability whatsoever for any technical and typographical errors or omissions in this document that might remain.
- We can accept no liability whatsoever for any losses arising from the information contained in this document.
- Subject to modification in terms of content.
- The device / product should not be passed on without the/these operating instructions.

# 1 Models available

---

Order - No.	Wind direction Meas. range	Wind velocity Input [Hz]	Electrical Output	Supply	Heating	Features
4.3151.00.400	0...360°	1082 Hz @ 50m/s	RS 485	3,3V...42VDC	with (24 V AC / DC)	
4.3151.10.400	0...360°	1082 Hz @ 50m/s	RS 485	3,3V...42VDC	without	
4.3151.90.400	0...360°	1082 Hz @ 50m/s	RS 485	3,3V...42VDC	with (24 V AC / DC)	Mast- Adaptor from stainless steel (V4A)

## 2 Application

---

The wind direction transmitter serves for the detection of the horizontal **wind direction** in the field of meteorology and the technology of environmental protection.

The measuring value is available as serial data telegram via an RS485 interface. The data telegram is able to operate, for ex., wind displays, weather displays, dataloggers, process control systems or to communicate with PC and software "Meteo-Online".

The wind direction transmitter can acquire wind velocity signals and can complete its serial data telegram by the parameter **wind velocity**.

Special characteristics:

- High level of measuring accuracy and resolution.
- High damping ratio at a small delay distance.
- Low starting threshold.
- Low current consumption (3,3V – 15V @6,0mA).
- Option for connecting an anemometer „First Class 4.3351.x0.000“.
- Data telegram additionally with wind velocity.

For wintertime use the wind direction transmitter (see chapter 1 models available) is optionally equipped with an electronically regulated heating, which guarantees the smooth running of the ball bearing, and prevents ice forming in the space between the external rotation parts.

## 3 Mode of Operation

---

### Wind direction:

The dynamic characteristics of the wind vane is achieved by the aluminum lightweight construction. The co-action of wind vane and balance weight results in a high damping ratio with small delay distance as excellent characteristic of the complete vane.

The axis of the wind vane is running in ball bearings and carries a diametrically magnetized magnet at the inner end. The angle position of the axis is scanned contact-free by a magnetic angle sensor (TMR-Sensor, Tunnel Magneto Resistance) through the position of the magnet field. As the sensor is operated in magnetic saturation, effects by external magnetic fields can almost be eliminated. The connected electronics calculates the angle position of the axis and provides the respective serial output signal.

### Acquisition of Wind Velocity:

Additionally to the wind direction acquisition the wind direction transmitter offers the option of supplying the wind velocity signal from the *Wind transmitter First Class 4.3351.x0.000*. The wind velocity signal is acquired and analyzed and is available in the output telegram along with the acquired wind direction.

### General:

An AC- or DC-voltage of 24V is intended for the separate supply of the optional heating. In all probability, the heating guarantees a trouble-free function of the Wind Direction Transmitter First Class even under extreme meteorological icing-conditions.

The outer parts of the instrument are made of corrosion-resistant anodized aluminum, and stainless steel. Highly effective labyrinth gaskets and O-rings protect the sensitive parts inside the instrument against humidity and dust.

## 4 Recommendation Site Selection / Standard Installation

---

In general wind measurement instruments should be able to detect the wind conditions of a large area. In order to obtain comparable values when determining the surface wind, measurements should be taken at a height of 10 meters over an even area with no obstacles. An area with no obstacles means that the distance between the wind direction transmitter and an obstacle should be at least 10 times the height of the obstacle (s. VDI 3786 Part 2). If it is not possible to fulfill this condition then the wind direction transmitter should be set up a height where local obstacles do not influence the measured values to any significant extent (approx. 6 - 10m above the obstacle). The wind direction transmitter should be set up in the center of flat roofs and not on the edge in order to avoid any preferential directions.

## 5 Installation

### **Attention:**

*Storing, mounting and operation under weather conditions is permissible only in vertical position, as otherwise water can get into the instrument.*

### **Remark:**

*When using fastening adapters (angle, traverses, etc.) please take a possible effect on the measurements by turbulences into consideration.*

### **Caution:**

*The device may only be supplied with a power supply of the "Class 2, limited power".*

### 5.1 Wind Vane Mounting

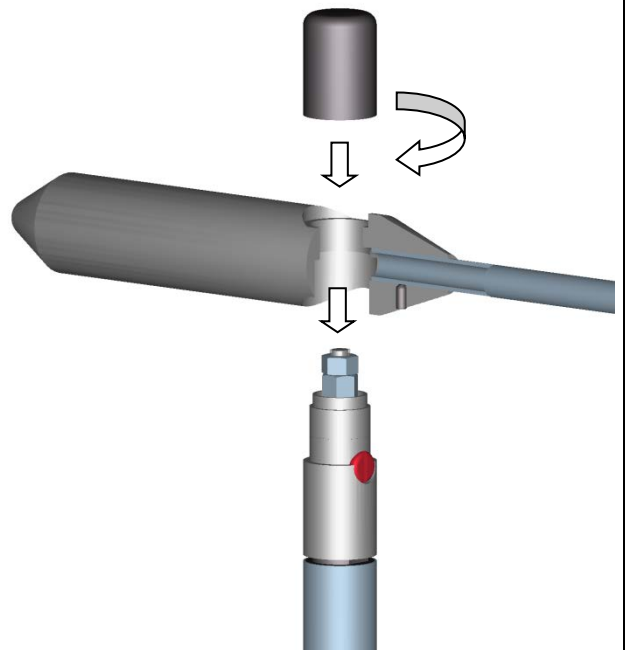
Before the wind direction transmitter can be installed at its selected site, the wind vane must be mounted on the housing.

#### **Tools:**

Not required.

#### **Procedure:**

1. Remove wind transmitter housing from the packing.
2. Remove cap by counter-clockwise rotation.
3. Remove wind vane from the packing
4. Mount the wind vane on the housing acc. to figure.
5. Wind vane rotate until it falls into the guide.
6. Put the cap on the thread, and tighten it manually by strong clockwise rotation. Please do not use tools.



#### **Remark**

The wiring must be prepared so far, that plug and cable have been pushed through instrument carrier, mast, traverse etc., and can be connected to the wind direction transmitter at the moment of the "Mechanical Mounting", described in the following (please refer also to chapter 5.4).

## 5.2 Mechanical Mounting

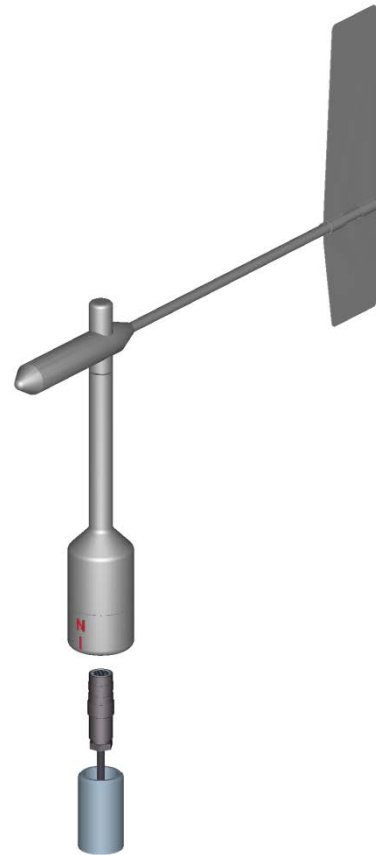
The wind direction transmitter must be mounted on an instrument carrier, which is suited for the measurement. For dimensions of wind direction transmitter please refer to chapter 10.

### Tools:

Hexagon socket wrench SW3  
(Allen key).

### Procedure:

1. Push cable/ plug connector of the wind direction transmitter through the borehole of the mast, tube, arm etc.
2. Put wind direction transmitter on mast, tube, arm etc.
3. Align the wind direction transmitter "northwards" (**procedure see chapter 5.2.1**).
4. Safeguard the wind direction transmitter by two M6-Allen head screws.



### Remark:

Suitable instrument carriers are masts, tubes, traverses, arms, adapters, adapters of POM for isolated mounting, which correspond to the mounting dimensions of the wind transmitter, and to the static requirements.

The inner diameter of the instrument carrier should be  $\geq 20\text{mm}$  based on plug- and cable feed-through.

## 5.2.1 North Alignment

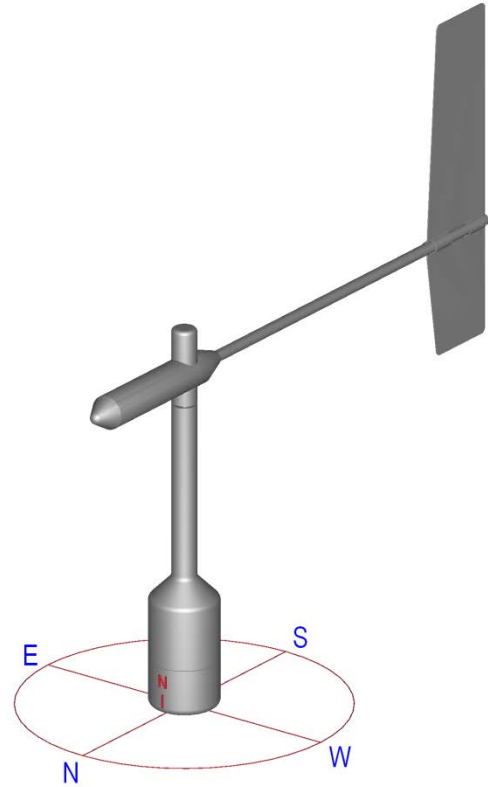
For the precise determination of the wind direction the wind direction transmitter must be aligned **northwards** (geographical north).

### Tools:

Hexagon socket wrench SW3  
(Allen key).

### Procedure:

1. Rotate north marking (I) at the housing and wind vane axially one above the other, acc. to figure.
2. Determine a prominent spot in the surrounding area (tree, building etc) in northward direction, by means of a compass.
3. Locate the prominent spot over wind vane and balance weight of the wind direction transmitter.
4. Align wind direction transmitter.  
The north marking must indicate the *geographical north*.
5. In case of conformity, safeguard the wind direction transmitter by two M6-Allen head screws.



### Remark:

If the north alignment is carried out by compass, please consider the local declination (= deviation of direction of the magnetic needle from the true north), and local magnetic interferences (e.g. hardware, electric cable).

When aligning the wind direction transmitter on a moving object (e.g. vehicle, wind wheel, ship etc) please consider that the "north point" to be determined, might possibly be located on the object.



## 5.3 Electrical Mounting

### 5.3.1 Cable

Solder a shielded cable with diameter 7-8 mm and a core cross-section of 0,5...0,75 mm<sup>2</sup> to the enclosed coupling socket.

- The number of necessary wires is given in the connection diagram (chapter 7).

#### 5.3.1.1 Cable Recommendation

No. of wires/ diameter / type / cable diameter
CABLE 8x0,5mm <sup>2</sup> LIYCY BLACK, UV- resistant, Ø 7,6 mm

### 5.3.2 Cable Shield

The connection of the cable shield between sensor and data acquisition device should be selected in way, that in case of over-voltages no equalizing currents will flow that might destroy the electronic components.

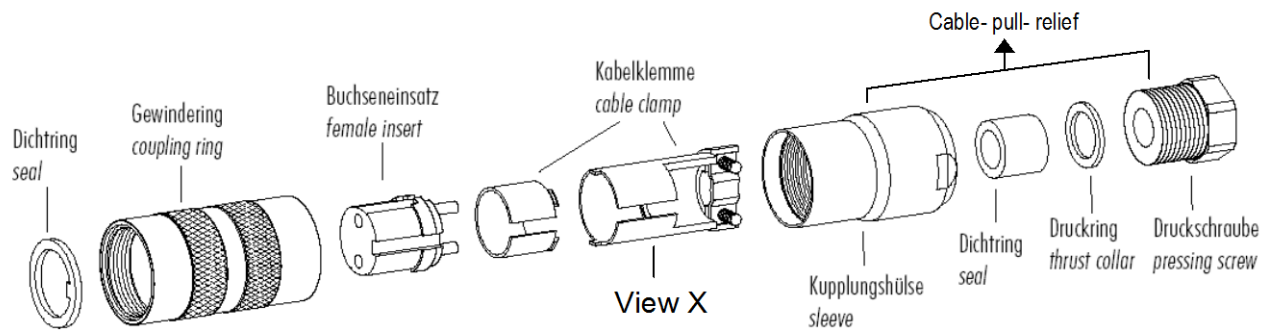
The connection of the cable shield should depend on the selected isolated, or respectively, non-isolated mounting of the sensors.

#### 5.3.2.1 Connecting Recommendation for the Cable Shield

	Sensor Carrier	Sensor	Shielding / Ground	Lightning Protection
1.	Metallic measurement mast, grounded	<b>Isolated</b> mounting at the measuring mast (e.g. by non-metallic brackets, holder etc. or by metallic brackets, holder etc. with isolated plastic adaptors)	Apply the cable shield between sensor and data acquisition device (e.g. datalogger) both-sided. Ground data acquisition device.	Mount metallic lightning protection rod on the mast. Alternatively: Install separate lightning protection rod beside the measurement mast.
2.	Metallic measurement mast, grounded	<b>Non-isolated</b> mounting at the measurement mast (e.g. by metallic brackets, holders etc.)	Apply cable shield between sensor and data acquisition device (e.g. datalogger) only one-sided at the acquisition device.. Ground data acquisition device.	Mount metallic lightning protection rod on the mast in <b>isolated condition</b> , and ground lightning protection rod. Alternatively: Install separate lightning protection rod beside the measurement mast.
3.	Metallic measurement mast, not grounded (mounted in isolated condition, e.g. on the attic)	<b>Non-isolated</b> mounting at the measurement mast. (e.g. by metallic brackets, holders etc.)	Apply the cable shield between sensor and data acquisition device (e.g. datalogger) both-sided. Ground data acquisition device.	Mount metallic lightning protection rod on the mast in <b>isolated condition</b> , and ground lightning protection rod. Alternatively: Install separate lightning protection rod beside the measurement mast.
4.	Non-metallic measuring mast (=isolated)	Mounting at the measurement mast. (e.g. by metallic brackets, holders etc.)	Apply the cable shield between sensor and data acquisition device (e.g. datalogger) both-sided. Ground data acquisition device.	Mount metallic lightning protection rod on the mast, and ground lightning protection rod. Alternatively: Install separate lightning protection rod beside the measurement mast.

### 5.3.3 Plug and Cable Mounting

#### Coupling socket, Type: Binder, Serial 423, EMC with cable clamp



#### Cable connection: **with** cable shield

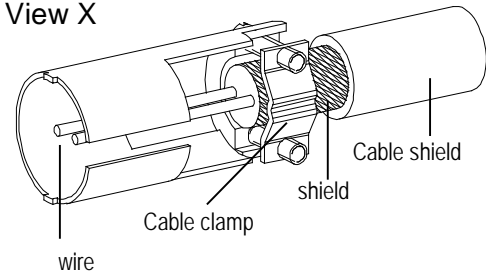
1. Stringing parts on cable acc. to plan given above.
2. Stripping cable sheath 20mm  
Cutting uncovered shield 15mm  
Stripping wire 5mm.

*Cable mounting 1:*  
Putting shrink hose or insulating tape between wire and shield.

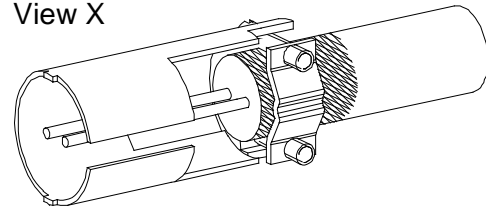
*Cable mounting 2:*  
If cable diameter permits, put the shield backward on the cable sheath.

3. Soldering wire to the insert, positioning shield in cable clamp.
4. Screwing-on cable clamp.
5. Assembling remaining parts acc. to upper plan.
6. Tightening pull-relief of cable by screw-wrench (SW16 und 17).

*Cable mounting 1*  
View X

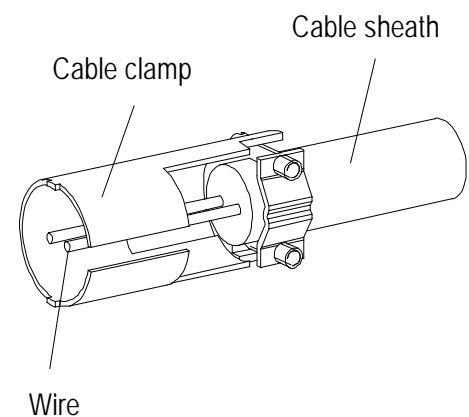


*Cable mounting 2*  
View X



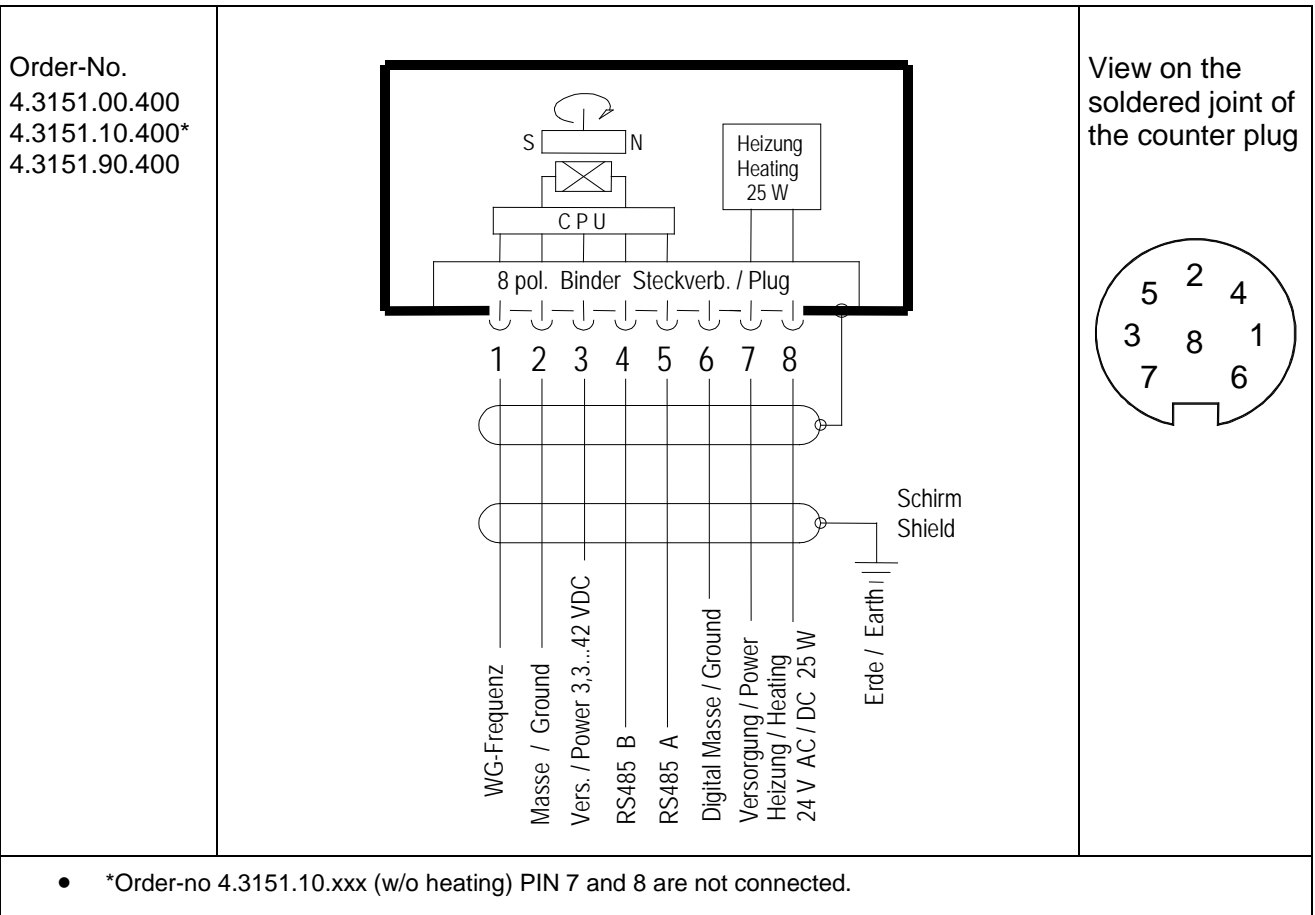
#### Cable connection: **without** cable shield

1. Stringing parts on cable acc. to plan given above.
2. Stripping cable sheath 20mm
3. Cutting uncovered shield 20mm
4. Stripping wire 5mm.
5. Soldering wire to the insert
6. Positioning shield in cable clamp.
7. Screwing-on cable clamp.
8. Assembling remaining parts acc. to upper plan.
9. Tightening pull-relief of cable by screw-wrench (SW16 und 17).



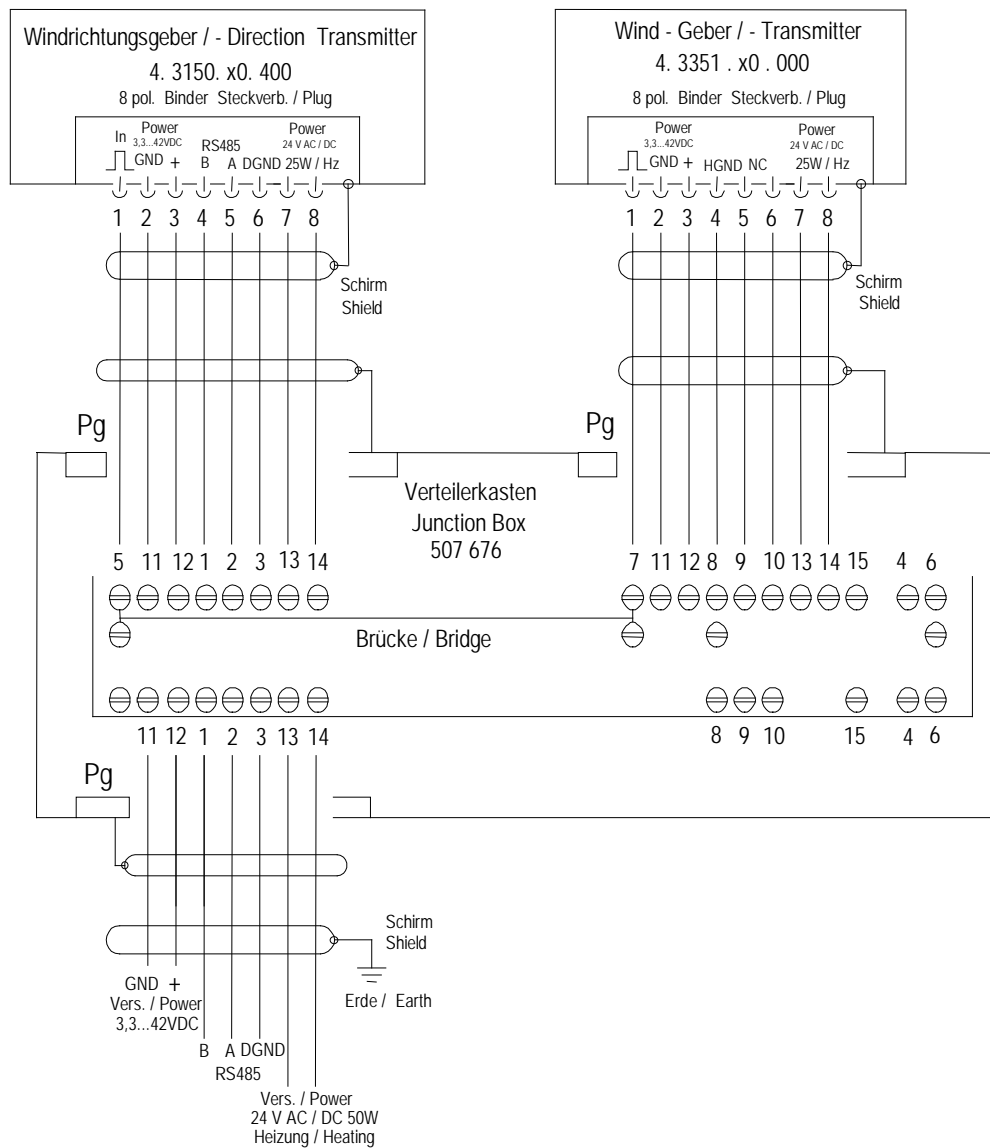
## 6 Connecting Diagram

Connection diagram acc. to chapter 5.3.2.1 no. 1, 3 and 4:



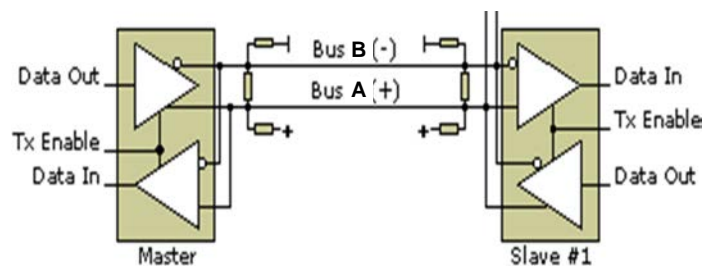
Pin	Name	Function
1	WV-frequency	Input wind velocity
2	GND	Supply ground
3	+Vcc	Supply 3.3 V ... 42 V DC
4	Serial B	RS 485 (B), serial- synchron Clock
5	Serial A	RS 485 (A), serial- synchron Clock
6	DGND	Digital ground / ground wind velocity
7	HZG	Heating supply:
8		Voltage: 24V AC/DC Power: 25W
*Order-no 4.3151.10.xxx (w/o heating) PIN 7 and 8 are not connected.		

## 6.1 Example Connection Diagram



## 7 Serial Interface (RS485)

The wind direction transmitter has an RS485 interface, which is operated in half-duplex mode. For a respective termination (terminating resistance) of the connecting cable must be provided externally (no termination in the wind direction transmitter).



Principle circuit diagram

## 8 Placing into operation

---

The wind direction transmitter is to be connected to a voltage source and a RS485 interface, as given in the connection diagram. With the connection of the supply voltage, and after a delay of 5sec, the output of serial data starts automatically with the following setting:

Setting of interface:

Baud rate	9600 baud
Data bits	8 bit
Parity bit	no
Stop bit	1

## 9 Serial Communication

---

For communication purpose the wind transmitter has a command interpreter. By means of this interpreter the behavior of the instrument can be changed. Thus, for example, the baud rate the instrument ID, and the starting behavior can be adapted to the own requirements. On principle, the command has the following construction:

AABB<CR> or AABBCCCCC<CR>

with:

AA: Wind transmitter – ID. Is always two-digit and in the range 00... 98

*ID-works setting: 00*

BB: the command, see list of commands

CCCC: A five-digit value for setting a new parameter value.

<CR>: Means here carriage-return (enter-button). This sign terminates the entering of commands.

A check of the command syntax is carried out in the wind transmitter. The correct reception of a command is acknowledged with „echo telegram“ for ex.:

00BR00005<CR> transmitting command

!00BR00005<CR> echo telegram

If a command is transmitted to the instrument without parameter value, it serves for querying the value currently set. For example, by means of the command

00BR<CR>

the current baud rate is queried. The reply telegram, for ex., appears as follows:

!00BR00005<CR> **00005** = 9600baud (see table of baud rates)

In order to avoid an unmeant parameter adjustment some commands (see list of commands) are secured by a so-called “key”. This “key” must be transmitted before the actual modification command.

Example: modification of baud rate

00KY00001<CR> Key-secured command released

00BR00006<CR> baud rate set to 19200

**Attention:**

*The key-secured commands are released until the supply voltage is activated, or the command 00KY00000<CR> is transmitted.*

## 10 List of Commands

---

For the wind direction transmitter the following commands are available

	Command	Description	Key
<b>Command KY</b>	<id>KY<param>	KEY-Number (Access authorization)	No
<b>Command TR</b>	<id>TR<param>	Telegram on request	No
<b>Command BR</b>	<id>BR<param>	Setting the baud rate	Yes
<b>Command TT</b>	<id>TT<param>	Automatic Telegram output (ATG) ON/OFF	Yes
<b>Command OR</b>	<id>OR<param>	Setting output interval for ATG	Yes
	<id>ID<param>	Setting wind transmitter ID	Yes

## 11 Commands and Description

---

### Command KY

<id>KY<param> Release (cancel) KEY secured command

<id>KY Query of the current KEY- parameter

Command echo !xxKYxxxxx

Description: The next command, for ex. command BR for changing the baud rate, is released by the KEY- command and the parameter 00001

The KEY command along with Parameter 00000, or switching-on the supply voltage resets the release.

Parameter description:

Parameter	Description
00000	Access authorization canceled
00001	Access authorization released

### Command TR

<id>TR<param> Telegram on request

<id>TR Query is not relevant (!xxTR00000)

Command echo no Echo

Description: The TR command with parameter 0003 starts a measurement and the transmission of the current measuring values,.

Response telegram (<STX>xx.x xxx.x\*HL<CR><ETX>)

Parameter description:

Parameter	Description
00003	Request for current measuring value (on request)

### Command BR

<id>BR<param> Setting the baud rate

<id>BR Query of the current BR-Parameter

Command echo !xxBRxxxxx

Description: By the BR command and with parameter 0000x the requested baud rate is set.

Parameter description:

Parameter	Description
00002	1200 baud (8n1)
00003	2400 baud (8n1)
00004	4800 baud (8n1)
00005	9600 baud (8n1)
00006	19200 baud (8n1)
00007	38400 baud (8n1)
00008	57600 baud (8n1)

### Command TT

<id>TT<param> Automatic Telegram output (ATG) ON/OFF

<id>TT Query of the current TT-Parameter

Command echo !xxTTxxxxx

Description: By the command TT and the parameter 0000x the automatic telegram output is switched on or off resp.

Parameter description:

Parameter	Description
00000	Automatic telegram output OFF
00003	Automatic telegram 3 ON

### Command OR

<id>OR<param> Set output interval for ATG.

<id>OR Query of the current OR-parameter

Command echo !xxORxxxxx

Description: By the command OR and the parameter xxxxx the output interval is set for the telegram output. The parameter is specified in ms. The interval range is 100ms ... 60000ms.

Parameter description:

Parameter	Description
XXXXX	Interval 100ms .... 60000 ms

### Command ID

<id>DI<param> Set wind transmitter ID

<id>ID Query of the current ID-parameter

Command echo !xxIDxxxxx

Description: By the ID-command and the parameter 000xx the Wind transmitter ID is set. The ID-setting range is 0..98. The ID guarantees the operation of several wind transmitters in one bus system.

Parameter description:

Parameter	Description
000XX	Wind transmitter ID 0.... 98



## 12 Data Telegram

---

Telegram construction

<STX>xx.x xxx.x\*HL<CR><ETX>    z.B. <STX>12.3 345.6\*14<CR><ETX>

Characters	Description
1	STX (HEX 02)
2	10 <sup>1</sup> wind velocity
3	10 <sup>0</sup> wind velocity
4	(HEX 2E) decimal point
5	10 <sup>-1</sup> wind velocity
6	space (HEX 20)
7	10 <sup>2</sup> wind direction
8	10 <sup>1</sup> wind direction
9	10 <sup>0</sup> wind direction
10	(HEX 2E) decimal point
11	10 <sup>-1</sup> wind direction
12	(HEX 2E) '*'
13	H = high nibble check sum
14	L = low nibble check sum
15	CR (HEX 0D) Carriage Return
16	ETX (HEX 03)

The parameters in the data telegram are output with leading zeros.  
(for ex. 01.4 008.7)

On state of delivery the data output is set as follows.

Data output            automatic  
Output                    100ms

The check sum is formed by the XOR-function from the characters between <STX> and „\*“ (starting with Hex00). Afterwards, the 8-bit-check sum is divided into two ASCII-characters (high and low nibble) with a value range of 0...F (Hex).

## 13 Maintenance

---

If properly installed, the instrument requires no maintenance.

The ball bearings of the wind direction transmitter are prone to wear, and with a prolonged use they might change the dynamic behavior of the wind vane. Therefore, we recommend to check the instrument in regular intervals.

Cleaning

For the cleaning of the device should use a damp cloth without chemical cleaning agents are used.

---

**Remark:**

*For transport of instrument please use original packing.*

---

## 14 Technical Data

Characteristic	Description
Measuring range	0 ... 360 °
Measuring Accuracy	1°
Resolution of measuring value	0.1°
Output telegram	<STX>xx.x xxx.x*HL<CR><ETX> z.B. 15.3(m/s) 347.1(°)
Measuring time	Approx. 10ms / WD-measurement.
Operating speed	Up to 75m/s.
Survival speed	85m/s up to 0.5 h.
Electric input of wind velocity	0....1082Hz @ 0...50m/s U <sub>PP_max</sub> = 0...15V, U <sub>PP_min</sub> = 0...3V
Permissible ambient conditions for operation	-50 ... +80°C All occurring situations of rel. humidity incl. dew moistening.
Electrical output	RS 485: 1200; 2400; 4800; 9600; 19200; 38400; 57600 Baud 8 Bit no parity 1Stopbit.
Starting threshold	< 0.5m/s at 10° amplitude (acc. to ASTM D 5366-96). < 0.2m/s at 90° amplitude (acc. to VDI 3786 Part 2).
Delay distance	< 1.8m (acc. to ASTM D 5366-6).
Damping ratio	D > 0.3 (acc. to ASTM D 5366-96).
Quality factor	K > 1 $K = \frac{4 \cdot D \cdot \omega_0}{\rho \cdot u}$ D                    Damping ratio, ω <sub>0</sub> angular frequency of undamped oscillation, ρ                     air density u                     wind speed.
Heating	Surface temperature of housing neck > 0 °C at 20 m/s up to -10 °C air temperature, at 10 m/s up to -20 °C using the Thies icing standard 012002 on the housing neck heating regulated with temperature sensor
Power supply	V <sub>cc</sub> :                3,3 V DC...42 V DC I <sub>cc</sub> :                1 mA @ 3,3V Ca. 1,5mA @ 5V



## 16 Accessories

Traverse 0,6 m For mounting the wind speed and wind direction transmitter jointly onto a mast	4.3174.00.000	Horizontal sensor distance: 0,6m Vertical sensor distance: 0,2m Mast receptacle: 48 - 50mm Material: Aluminum, anodized Dimensions: tube Ø 34x4mm, 668 mm long, 756mm high
Hanger –FIRST CLASS- 1m For the lateral mounting of a wind speed and wind direction transmitter onto a mast..	4.3184.01.000	Sensor distance to mast: 1m Mast clamp: 40 – 80mm Tube diameter: 34mm Material: Aluminum
Lightning rod For mounting the a/m traverse or hanger.	4.3100.98.000	Dimension: Ø 12mm, 500mm long, 1050 mm high Material: Aluminum
Wind – Junction box Serves for the connection of several measuring value transmitters. Minimizes the number of cable cores.	507 676	Dimension: 125 x 80x 57mm Material: Aluminium
Adaptor For isolated mounting of each wind transmitter and wind direction transmitter on the traverse (4.3174.0.000).	509077	Dimension: A:Ø 34mm, outside 25mm high B:Ø 35mm, inside 45mm high Material: POM

Please contact us for other accessories such as cables, power supply units, masts, as well as for additional mast- or system-constructions.

Example: Wind transmitter with traverse and lightning rod.



# 17 EC-Declaration of Conformity

Document-No.: 001585

Month: 04 Year: 16

Manufacturer: **ADOLF THIES GmbH & Co. KG**

Hauptstr. 76  
D-37083 Göttingen  
Tel.: (0551) 79001-0  
Fax: (0551) 79001-65  
email: Info@ThiesClima.com

This declaration of conformity is issued under the sole responsibility of the manufacturer

Description of Product: **Wind Direction Transmitter FIRST CLASS**

Article No.	<b>4.3151.00.000</b>	<b>4.3151.00.001</b>	<b>4.3151.00.012</b>	<b>4.3151.00.110</b>
	<b>4.3151.00.140</b>	<b>4.3151.00.141</b>	<b>4.3151.00.161</b>	<b>4.3151.00.173</b>
	<b>4.3151.00.210</b>	<b>4.3151.00.212</b>	<b>4.3151.00.400</b>	<b>4.3151.00.901</b>
	<b>4.3151.10.000</b>	<b>4.3151.10.001</b>	<b>4.3151.10.012</b>	<b>4.3151.10.110</b>
	<b>4.3151.10.140</b>	<b>4.3151.10.141</b>	<b>4.3151.10.161</b>	<b>4.3151.10.173</b>
	<b>4.3151.10.210</b>	<b>4.3151.10.212</b>	<b>4.3151.10.400</b>	
	<b>4.3151.90.000</b>	<b>4.3151.90.001</b>	<b>4.3151.90.141</b>	<b>4.3151.90.400</b>

specified technical data in the document: **021741/04/16; 021743/04/16; 021746/05/14; 021750/05/14; 021753/04/16; 021779/04/15**

The indicated products correspond to the essential requirement of the following European Directives and Regulations:

2014/30/EU	DIRECTIVE 2014/30/EU OF THE EUROPEAN PARLIAMENT AND OF THE COUNCIL of 26 February 2014 on the harmonisation of the laws of the Member States relating to electromagnetic compatibility
2014/35/EU	DIRECTIVE 2014/35/EU OF THE EUROPEAN PARLIAMENT AND OF THE COUNCIL of 26 February 2014 on the harmonisation of the laws of the Member States relating to the making available on the market of electrical equipment designed for use within certain voltage limits
552/2004/EC	Regulation (EC) No 552/2004 of the European Parliament and the Council of 10 March 2004 on the interoperability of the European Air Traffic Management network (the interoperability Regulation)
2011/65/EU	DIRECTIVE 2011/65/EU OF THE EUROPEAN PARLIAMENT AND OF THE COUNCIL of 8 June 2011 on the restriction of the use of certain hazardous substances in electrical and electronic equipment
2012/19/EU	DIRECTIVE 2012/19/EU OF THE EUROPEAN PARLIAMENT AND OF THE COUNCIL of 4 July 2012 on waste electrical and electronic equipment (WEEE)

The indicated products comply with the regulations of the directives. This is proved by the compliance with the following standards:


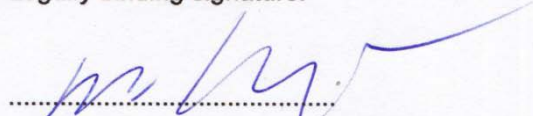
EN 61000-6-2	Electromagnetic compatibility Immunity for industrial environment
EN 61000-6-3	Electromagnetic compatibility Emission standard for residential, commercial and light industrial environments
EN 61010-1	Safety requirements for electrical equipment for measurement, control, and laboratory use. Part 1: General requirements
EN 50581	Technical documentation for the assessment of electrical and electronic products with respect to the restriction of hazardous substances

Place: Göttingen  
Signed for and on behalf of:

Date: 26.04.2016

Legally binding signature:

issuer:



Thomas Stadie, General Manager Sales

Joachim Beinhorn, Development Manager

This declaration certifies the compliance with the mentioned directives, however does not include any warranty of characteristics. Please pay attention to the security advises of the provided instructions for use.



## **ADOLF THIES GmbH & Co. KG**

Hauptstraße 76 37083 Göttingen Germany  
P.O. Box 3536 + 3541 37025 Göttingen  
Phone +49 551 79001-0 Fax +49 551 79001-65  
www.thiesclima.com info@thiesclima.com



- Alterations reserved -