

Instruction for Use

021589/02/09

Wind Direction Transmitter

- with analogue output

4.3125.33.xxx



ADOLF THIES GmbH & Co. KG

Hauptstraße 76

Box 3536 + 3541

Phone ++551 79001-0

www.thiesclima.com

37083 Göttingen Germany

37025 Göttingen

Fax ++551 79001-65

info@thiesclima.com

Contents

1	Models	3
2	Range of application	3
3	Construction and Mode of Operation	3
4	Recommendation Site Selection / Standard Installation	4
5	Installation.....	4
5.1	Mounting of wind vane	5
5.2	Mounting the Wind Direction Transmitter	5
5.3	North Alignment.....	5
5.4	Electrical Mounting	6
5.4.1	Plug Mounting, Cable Mounting.....	6
6	Maintenance	6
7	Wiring Diagrams	7
8	Technical Data.....	9
9	Dimensions	10
10	EC-Declaration of Conformity	11

Figure

Figure 1: Dimension 4.3125.33.040- 073	10
Figure 2: Dimension 4.3125.33.841	10

1 Models

Order-No.	Meas. range Wind direction	Electrical Output	Operating voltage	Model
4.3125.33.040	0...360°	0...20 mA	15...28 V DC or 24 V AC	Standard
4.3325.33.041	0...360°	4...20 mA	15...28 V DC or 24 V AC	Standard
4.3125.33.060	0...360°	0...1 V	5...28 V DC or 24 V AC	Standard
4.3125.33.061	0...360°	0...10 V	15...28 V DC or 24 V AC	Standard
4.3125.33.073	0...360°	0...5 V	8...28 V DC or 24 V AC	Standard
4.3125.33.841	0...360°	4...20 mA	15...28 V DC or 24 V AC	"Ship version" * - short wind vane - special ball bearing

* Wind Direction Transmitters for heavy mechanical load, for ex. on ships, wind power plants or the like.

The wind direction transmitters are shipped in semi-mounted state, in order to avoid transport damages and to keep the package small.

The following parts are included in delivery:

- 1 x wind direction transmitter, pre-mounted
- 1 x wind vane
- 1 x connecting plug

2 Range of application

The wind direction transmitter serves for the acquisition of the horizontal components of the wind direction. All measuring values are available at the outputs analogue signals. They can be transmitted to display, recording instruments, dataloggers as well as process control systems.

For winter operation the instruments are equipped with an electronically regulated heating in order to guarantee a smooth running of the ball bearings, and to avoid ice-formation at the slot of the outer rotation parts. The electrical supply of wind transmitter heating is carried out, for ex., by our power supply unit, order-no. 9.3388.00.000.

3 Construction and Mode of Operation

The housing, cup star and wind vane are made of aluminum, die the surfaces are anodized. Labyrinth seals and o-rings protect the sensitive internal parts from precipitation. The instrument is designed for mounting to a mast tube; the electrical plug connection is situated in the transmitter shaft.

The wind direction is acquired by means of an inertia-free wind vane.

The axis of the wind vane is running in ball bearings and carries a diametrically magnetized magnet at the inner end.

The angle position of the axis is scanned contact-free by a GMR- Sensor (Giant Magnetoresistive Effect Sensor) through the position of the magnet field.

As signal this sensor outputs two cosine- and sinus-depending voltages.

The connected micro-controller calculates from this voltages the wind direction and provides the respective result as **analogue output signal**.

4 Recommendation Site Selection / Standard Installation

In general, wind measurement instruments should be able to detect wind conditions over a broad range. In order to obtain comparative values of the surface wind, measurements should be taken at a height of 10m above a flat, open terrain. Open terrain means that the distance between the wind transmitter and an obstacle is at least 10 times greater than the height of the obstacle itself. If this requirement cannot be fulfilled, then set the wind transmitter up at a height where the influence of local obstacles on the measured values is minimal (about 6-10 m above the level of the obstacle). If the wind transmitter is set up on a flat roof, then place it in the center of the roof and not at the edge in order to avoid privileged directions.

5 Installation

Attention:

Storing, mounting and operation under weather conditions is permissible only in vertical position, as otherwise water can get into the instrument.

Remark:

When using fastening adapters (angle, traverses, hangers etc.) please take a possible effect by turbulences into consideration.

Remark:

*A **Lightning Rod** Order-No. **4.3100.99.000** is recommended if the instrument is to be used in areas with considerable lightning activity.*

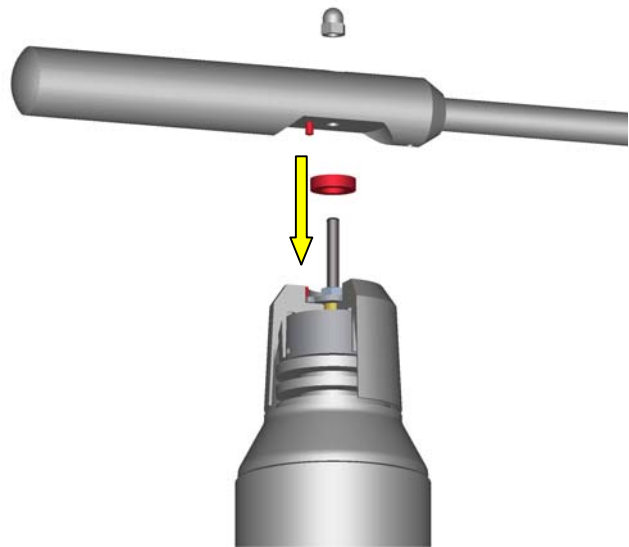
5.1 Mounting of wind vane

Tools

- Screw wrench SW 8

Mounting of wind vane

1. Remove wind transmitter housing and wind vane from the packing.
2. Screw off cap nut (SW 8)
The gasket remains in the protective cap
3. Mounting of wind vane acc. to figure.
The dowel at the wind vane must catch the notch of the protective cap. The cap nut is to be screwed tightly.



5.2 Mounting the Wind Direction Transmitter

The Wind Direction Transmitter can be mounted onto a tube of R 1 1/2" (ϕ 48,3 mm), \geq 50 mm long. The internal diameter of the mounting tube must be at \geq 40 mm since the transmitter will be plugged into an electrical system from below. Solder a cable onto the enclosed plug (see chapter 5.4). After electrical connection, set the wind transmitter onto the tube. North marking and bow shall indicate to the North.

5.3 North Alignment

Rotate the case markings (north marking) on the shaft and on the protective cap until they are aligned. Then select an obvious point in a northerly direction in the surroundings (a tree, a building etc.) with the aid of a compass. Take a bearing on this point over the wind vane and the counter weight of the wind direction transmitter, and when these coincide screw the wind transmitter into place. (the north marking must indicate to the geographic north). The instrument is fixed on the shaft by means of the two hexagon head screws.

Alignment of the comb. Wind Direction Transmitter on a Ship

- The reference point for the wind transmitter is the roll-axis of the ship, whereat "0°" is related to the **ship bow**.

Rotate the case markings (north marking) on the shaft and on the protective cap until they are aligned. Take a bearing on ship bow over the wind vane and the counter weight of the wind direction transmitter, and when these coincide screw the wind transmitter into place. (the north marking must indicate to the geographic north).

- When aligning the comb. wind transmitter on other mobile objects (for ex. vehicles, wind power plants etc.) this procedure can be adopted

5.4 Electrical Mounting

A shielded cable with a diameter of 6..8 mm and a core section of 0,5...0,75 mm² must be soldered on to the enclosed coupling socket.

The number of required cores, and the PIN assignment is stated in the connection diagram (chapter 7).

- Cable recommendation: Type LIYCY 5 x 0.5 mm², Ø 7 mm

5.4.1 Plug Mounting, Cable Mounting

Coupling socket 212 505, 5-pol., (Binder, Serial 423), EMC with cable clamp

<ol style="list-style-type: none"> 1. Stringing parts on cable acc. to plan given above. 2. Stripping cable sheath 20 mm Cutting uncovered shield 15 mm Stripping wire 5mm. <p><i>Cable mounting 1</i> Putting shrink hose or insulating tape between wire and shield.</p> <p><i>Cable mounting 2</i> If cable diameter permits, put the shield backward on the cable sheath.</p> <ol style="list-style-type: none"> 3. Soldering wire to the insert, positioning shield in cable clamp. 4. Screwing-on cable clamp. 5. Assembling remaining parts acc. to upper plan. 6. Tightening pull-relief of cable by screw-wrench (SW16 und 17). 	<p><i>Cable mounting 1</i> View X</p> <p><i>Cable mounting 2</i> View X</p>

6 Maintenance

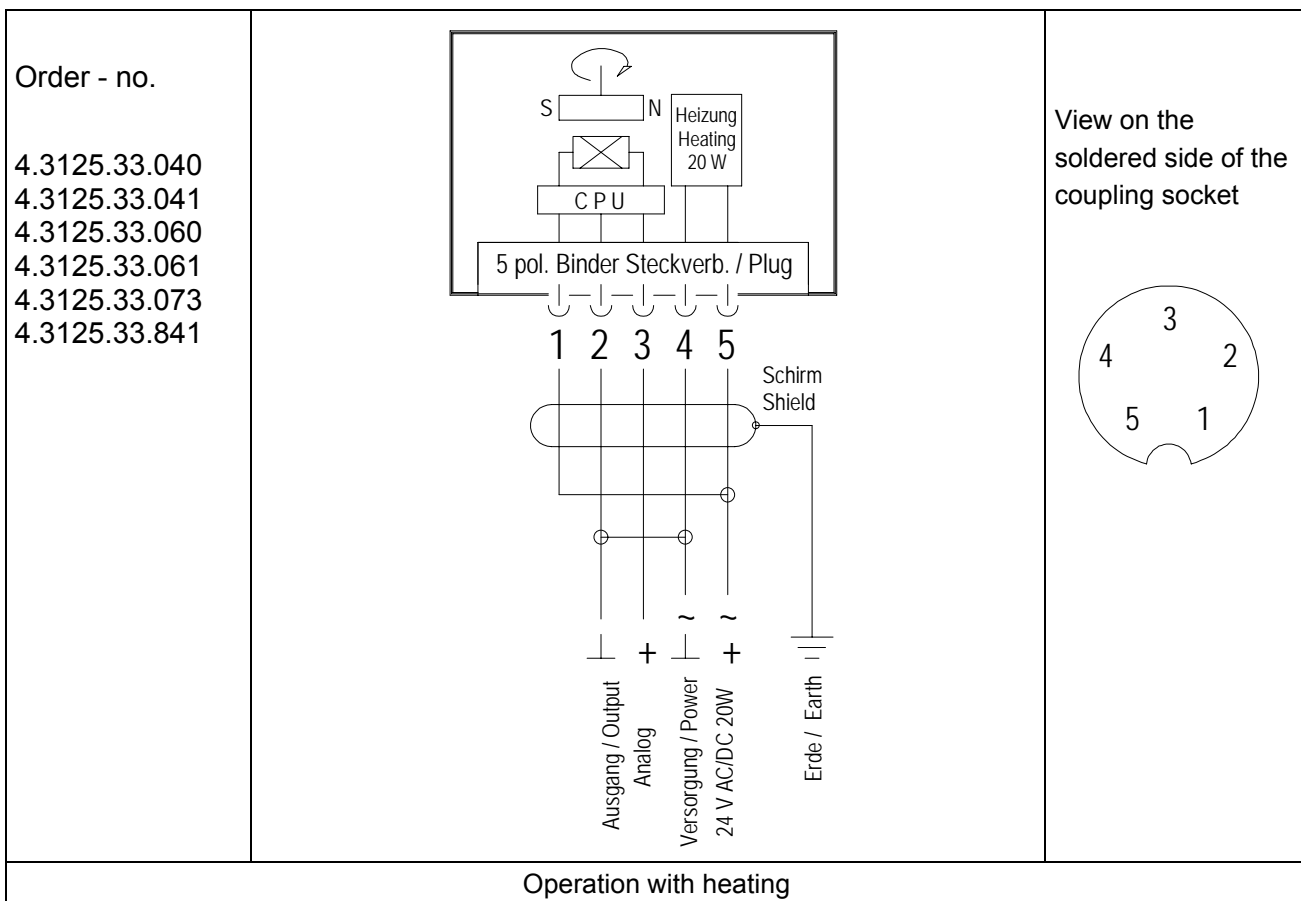
If the instrument has been properly mounted, no maintenance is required. Heavy pollution can clog the slits between the rotating and stationary parts of the instrument. These slits must always be clean and unclogged.

After years of use, the ball bearings can suffer from wear and tear. This is expressed in a higher starting torque respectively in the fact that the Wind Direction Transmitter does not start rotating. If such a defect occurs, we recommend that you return the instrument to the factory for repair.

7 Wiring Diagrams

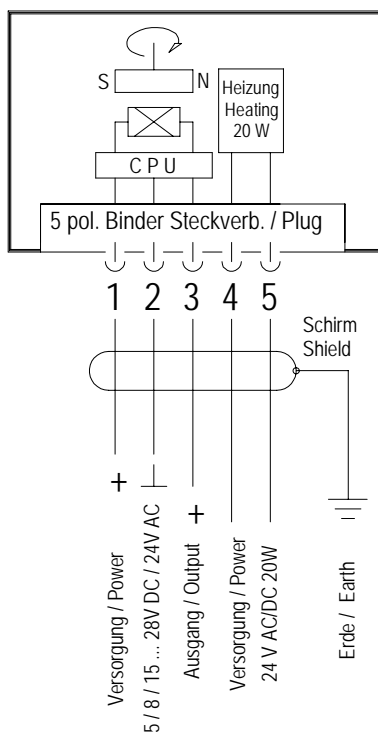
Remark:

- The cable shield should be connected on both sides (to the plug of the wind transmitter and to the data logging) in case the data logging or the like is on the same electrical potential.
- The cable shield should be connected on one side (only to the data logging) in case there are potential differences between wind transmitter and data logging.

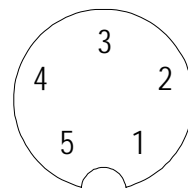


Order - no.

- 4.3125.33.040
- 4.3125.33.041
- 4.3125.33.060
- 4.3125.33.061
- 4.3125.33.073
- 4.3125.33.841



View on the soldered side of the coupling socket



At operation without heating: Do not connect pin 4 and 5

8 Technical Data

	4.3125.33.040 4.3125.33.041 4.3125.33.060 4.3125.33.061 4.3125.33.073	4.3125.33.841
Meas. range	0...360° (= mA / V)	0...360° (= 4...20 mA)
Start-up	<0.6 m/s at 90° vane move	<1 m/s at 90° vane move
Accuracy	±1.5°	±1.5°
Resolution	0.35°	0.35°
Damping ratio	0.2 –0.3	0.2 –0.3
Max. wind load	60 m/s	75 m/s (max. 30 min.)
Electrical output	No. see models available 0...20 mA @ 500 Ω, U _B ≥ 12V 4...20 mA @ 500 Ω, U _B ≥ 12V 0...1 V @ 1000 Ω, U _B ≥ 5V 0...5 V @ 1000 Ω, U _B ≥ 8V 0...10 V @ 1000 Ω, U _B ≥ 12V	No. see models available 4...20 mA @ 500 Ω, U _B ≥ 12V
Operating voltage with Heating without Heating	24 V DC/AC, approx. 20 W, electronically regulated 8 / 15...28 V DC / 24 V AC	24 V DC/AC, approx. 20 W, electronically regulated 15...28 V DC / 24 V AC
Ambient temperature	-35...+80°C	-35...+80°C
Protection	IP 55	IP 55
Wind load at 35 m/s	approx. 50 N	approx. 50 N
Mounting	onto mast tube 1 ½“, for ex. DIN 2441	onto mast tube 1 ½“, for ex. DIN 2441
Connection	5-pole plug connection in the shaft	5-pole plug connection in the shaft
Weight	1.8 kg	1.8 kg
Model	Standard	“Ship version” - short wind vane

9 Dimensions

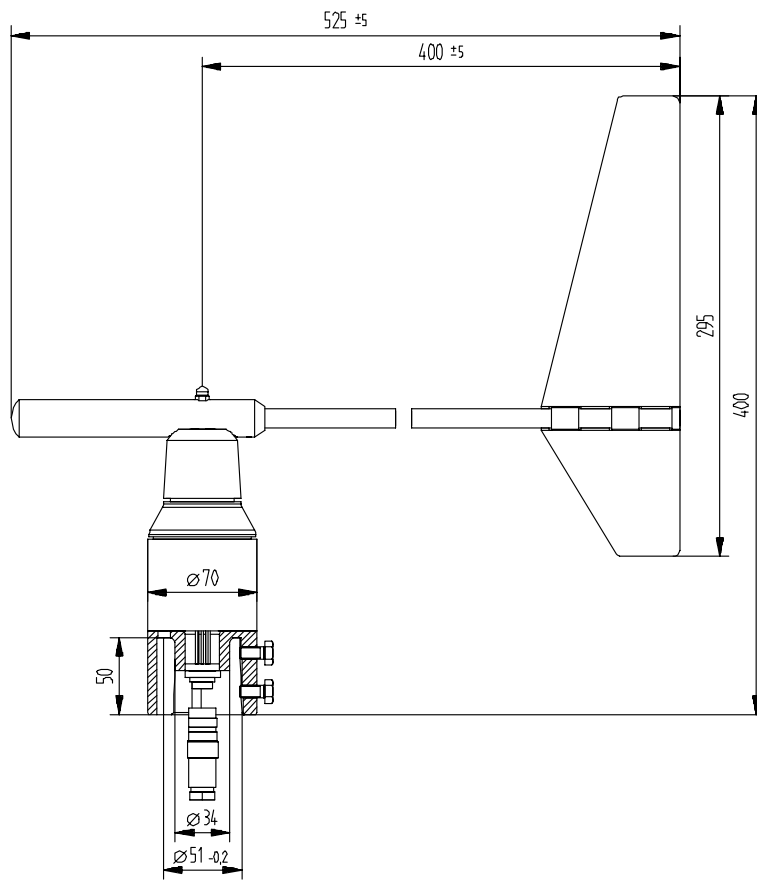


Figure 1: Dimension 4.3125.33.040- 073

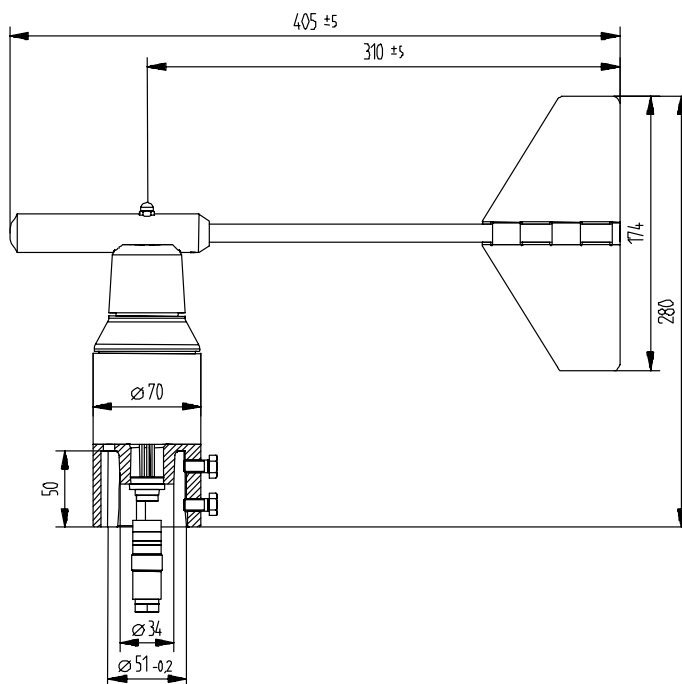


Figure 2: Dimension 4.3125.33.841

10 EC-Declaration of Conformity

Document-No.: 000438

Month: 02 Year: 09

Manufacturer: **ADOLF THIES GmbH & Co. KG**

Hauptstr. 76
D-37083 Göttingen
Tel.: (0551) 79001-0
Fax: (0551) 79001-65
email: Info@ThiesClima.com

Description of Product: **Wind Direction Transmitter, Combined Wind Transmitter**

Article No.	4.3125.33.040	4.3125.33.041	4.3125.33.060	4.3125.33.061
	4.3125.33.073	4.3125.33.841		
	4.3324.32.040	4.3324.32.041	4.3324.32.061	4.3324.32.073
	4.3324.32.640	4.3324.32.641	4.3324.32.661	4.3324.32.673
	4.3324.32.941			

specified technical data in the docume **021588/02/09; 021597/02/09**

The indicated products correspond to the essential requirement of the following European Directives and Regulations:

2004/108/EC	DIRECTIVE 2004/108/EC OF THE EUROPEAN PARLIAMENT AND OF THE COUNCIL of 15 December 2004 on the approximation of the laws of the Member States relating to electromagnetic compatibility and repealing Directive 89/336/EEC
2006/95/EC	DIRECTIVE 2006/95/EC OF THE EUROPEAN PARLIAMENT AND OF THE COUNCIL of 12 December 2006 on the harmonisation of the laws of Member States relating to electrical equipment designed for use within certain voltage limits
552/2004/EC	Regulation (EC) No 552/2004 of the European Parliament and the Council of 10 March 2004 on the interoperability of the European Air Traffic Management network (the interoperability Regulation)

The indicated products comply with the regulations of the directives. This is proved by the compliance with the following standards:

Reference number	Specification
IEC 61000-6-2: 2005	Electromagnetic compatibility Immunity for industrial environment
IEC 61000-6-3: 2006	Electromagnetic compatibility Emission standard for residential, commercial and light industrial environments
IEC 61010-1: 2001	Safety requirements for electrical equipment for measurement, control and laboratory use. Part 1: General requirements

Place: Göttingen

Date: 12.02.2009

Legally binding signature:

issuer:

.....
Wolfgang Behrens, General Manager

.....
Joachim Beinhorn, Development Manager

This declaration certifies the compliance with the mentioned directives, however does not include any warranty of characteristics. Please pay attention to the security advises of the provided instructions for use.



ADOLF THIES GmbH & Co. KG

Hauptstraße 76 37083 Göttingen Germany
P.O. Box 3536 + 3541 37025 Göttingen
Phone ++551 79001-0 Fax ++551 79001-65
www.thiesclima.com info@thiesclima.com



- Alterations reserved -