

## Instruction for use

021083/11/07

---

# ***Wind Transmitter***

***Output: analogue (DC- Generator)***

**4.3105.xx.000**



### **ADOLF THIES GmbH & Co. KG**

Hauptstraße 76

Box 3536 + 3541

Phone ++551 79001-0

[www.thiesclima.com](http://www.thiesclima.com)

37083 Göttingen Germany

37025 Göttingen

Fax ++551 79001-65

[info@thiesclima.com](mailto:info@thiesclima.com)

## **Contents**

1	Models .....	2
2	Application .....	3
3	Set-up of the instrument.....	3
4	Recommendation Site Selection / Standard Installation .....	3
5	Installation.....	4
5.1	Mounting of the cup star .....	4
5.2	Electrical Mounting .....	5
5.3	Mounting of the Wind Transmitter .....	6
6	Maintenance .....	6
7	Connecting Diagram .....	6
8	Technical Data.....	7
9	Dimension diagram .....	7
10	EC-Declaration of Conformity .....	8

## **1 Models**

---

<b>Order no.</b>	<b>Measuring range</b>	<b>Electrical output</b>
4.3105.10.000	0,5...35 m/s	0...4,67 mA DC, linear (Load resistor: 400 Ω)
4.3105.22.000	0,5...35 m/s	0...4,67 mA DC, linear (Load resistor: 400 Ω)

## 2 Application

---

The wind transmitter is used for the registration of the horizontal component of the wind velocity. The measuring value will be placed at the output as analogue signal. The signal can be given to display instruments, recording instruments, datalogger as well as process wise systems. The wind transmitter is equipped with an electronically regulated heating system in order to prevent ice and frost from the ball bearings and the outer rotation parts.

Power supply unit, Order no. 9.3388.00.000 provides the transmitter and the heating system with current. It is advisable to attach Lightning rod, Order no. 4.3100.99.000 in areas with considerable lightning activity.

## 3 Set-up of the instrument

---

A low-inertia light metallic cup star is set into rotation by the wind. The axis of the cup star is coupled with a measuring generator. A certain current is delivered according to the wind velocity.

The outer parts of the instrument are made of corrosion-resistant anodised aluminium. The sensitive parts inside of the instrument are protected from precipitation through labyrinth seals and o-rings. The instrument is designed to be mounted to a mast, the electrical connection is located in the stem of the transmitter.

It consists of the following parts:

- 1 Case
- 1 Cup star
- 1 Connection plug

## 4 Recommendation Site Selection / Standard Installation

---

According to international regulations, the surface wind should be measured at a height of 10 m above flat, open terrain, in order to achieve comparable values. An open terrain is defined as terrain where the distance between the wind-measuring instrument and the next obstacle is at least ten times the height of this obstacle (see VDI 3786, Part 2). If the regulation cannot be adhered to, the measuring instrument should be installed at a height at which the measurement values are not influenced by any local obstacles. In any case, the measuring instruments are to be installed at a height of 6 to 10 m above the mean height of the buildings or trees in the vicinity. If it is necessary to install the instrument on a roof, it should be installed in the centre of the roof in order to avoid any preferential directions.

## 5 Installation

---

**Attention:**

*Storing, mounting and operation under weather conditions is permissible only in vertical position, as otherwise water can get into the instrument.*

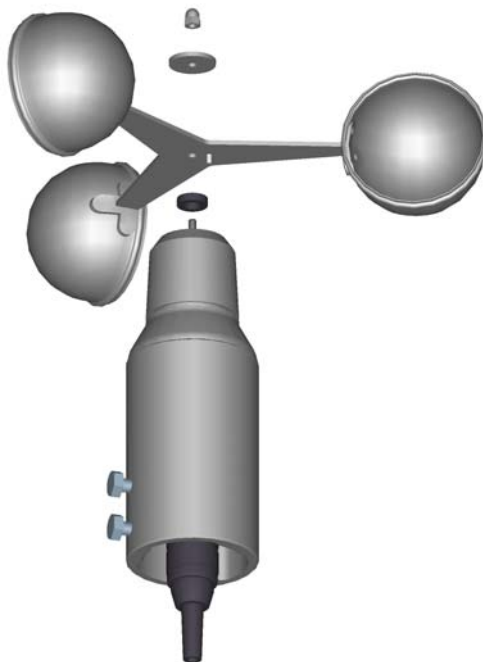
**Remark:**

*When using fastening adapters (angle, traverses, etc.) please take a possible effect by turbulences into consideration.*

---

### 5.1 Mounting of the cup star

Unscrew the cap nut (SW 8) from the wind velocity sensor case and remove the disk. Keep the rubber sealing washer in the protection cap. Set the cup star into position in such a way that the dowel pin in the cup star catches in the nut of the protective cap. Replace the disk and re-screw the cap nut. Hold the transmitter on the protective cap not on the cup.



## 5.2 Electrical Mounting

A shielded cable with a diameter of 5.8 mm and a core section of 0,5...0,75 mm<sup>2</sup> must be soldered on to the enclosed plug.

- The number of required cores, and the PIN assignment is stated in the connection diagram (chapter 7).

Cable recommendation	
Type/ No. of cores /Diameter	Cable diameter
LIYCY 4 x 0,75 mm <sup>2</sup>	ca. 7 mm

Coupling socket 201041 (5-pol), Type Binder, Series 691

1. Removing Coupling socket
2. Stringing coupling socket on cable
3. Stripping cable sheath 20 mm
4. Putting uncovered shield backwards onto the cable sheath
5. Stripping uncovered cable cores 5 mm
6. Pushing shrink hose over cable cores
7. Soldering stripped cable cores onto the solder filament of the bush insert, pushing shrink hose over the soldering afterwards, and shrinking it.
8. Fastening cable and shield in the carrier sleeve by means of the clamp.
9. Mount coupling socket

### 5.3 Mounting of the Wind Transmitter

Mount the transmitter to a short piece of pipe of R 1½" (Ø 48 mm) and a length of 50 mm. The short piece of pipe must have an internal diameter of at least 36 mm as the wind transmitter must be connected electrically with a plug from below. Once the electrical connection has been carried out, set the wind transmitter onto the short piece and fasten it to the shaft with the two hexagonal screws.

## 6 Maintenance

After proper mounting the instrument works maintenance free.

Heavy pollution can clog up the slit between the rotating and the stationary parts of the wind transmitter. This slit must be kept clean.

**Remark:**

*Please use only original packing for transporting the instrument.*

## 7 Connecting Diagram

<p>Order- no. 4.3105.10.000* 4.3105.22.000</p>		<p>View on the soldered side of the coupling socket</p>
<p><b>Attention:</b> *Without heating, Pin 3 and 4 not connected</p>		

## 8 Technical Data

Measuring range	0,5... 35 m/s
Starting speed	0,5 m/s
Max. load	60 m/s
Electrical output	DC- Generator 0... 4,67 mA DC (linear) with Ra = 400 Ω
Wind load at 35 m/s	approx. 10N
Distance constant	5 m
Ambient temperature	-35...+80°C
Heating	24 V AC/DC ca. 20 W; elektronisch geregelt
Connecting	5-polige Steckverbindung im Schaft
Mounting	onto mast tube 1 ½" , DIN 2441
Weight	1 kg

## 9 Dimension diagram

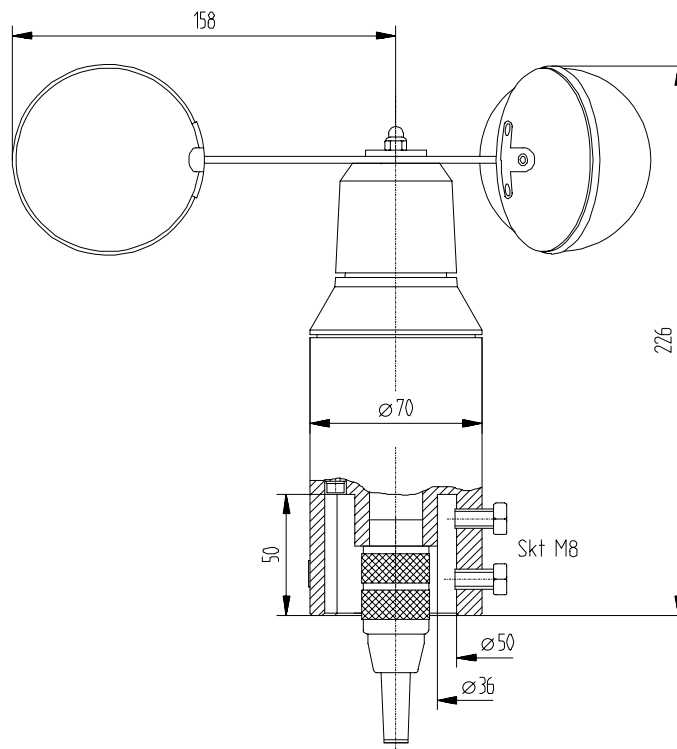


Figure 1: Dimension diagram

# 10 EC-Declaration of Conformity

---

Document-No.: **000431**

Month: 06 Year: 08

Manufacturer: **ADOLF THIES GmbH & Co. KG**

Hauptstr. 76  
D-37083 Göttingen  
Tel.: (0551) 79001-0  
Fax: (0551) 79001-65  
email: Info@ThiesClima.com

Description of Product: **Wind Transmitter classic**

Article No. **4.3105.10.000** **4.3105.22.000**

specified technical data in the document: **021082/11/07**

The indicated products correspond to the essential requirement of the following European Directives and Regulations:

- |             |                                                                                                                                                                                                                            |
|-------------|----------------------------------------------------------------------------------------------------------------------------------------------------------------------------------------------------------------------------|
| 2004/108/EC | DIRECTIVE 2004/108/EC OF THE EUROPEAN PARLIAMENT AND OF THE COUNCIL of 15 December 2004 on the approximation of the laws of the Member States relating to electromagnetic compatibility and repealing Directive 89/336/EEC |
| 2006/95/EC  | DIRECTIVE 2006/95/EC OF THE EUROPEAN PARLIAMENT AND OF THE COUNCIL of 12 December 2006 on the harmonisation of the laws of Member States relating to electrical equipment designed for use within certain voltage limits   |
| 552/2004/EC | Regulation (EC) No 552/2004 of the European Parliament and the Council of 10 March 2004 on the interoperability of the European Air Traffic Management network (the interoperability Regulation)                           |


The indicated products comply with the regulations of the directives. This is proved by the compliance with the following standards:

Reference number	Specification
IEC 61000-6-2: 2005	Electromagnetic compatibility Immunity for industrial environment
IEC 61000-6-3: 2006	Electromagnetic compatibility Emission standard for residential, commercial and light industrial environments
IEC 61010-1: 2001	Safety requirements for electrical equipment for measurement, control and laboratory use. Part 1: General requirements

Place: Göttingen

Date: 30.06.2008

Legally binding signature:

  
.....  
Wolfgang Behrens, General Manager

issuer:

  
.....  
Joachim Beinhorn, Development Manager

This declaration certifies the compliance with the mentioned directives, however does not include any warranty of characteristics. Please pay attention to the security advises of the provided instructions for use.







## **ADOLF THIES GmbH & Co. KG**

Hauptstraße 76      37083 Göttingen Germany  
P.O. Box 3536 + 3541      37025 Göttingen  
Phone ++551 79001-0      Fax ++551 79001-65  
[www.thiesclima.com](http://www.thiesclima.com)      [info@thiesclima.com](mailto:info@thiesclima.com)



- Alterations reserved -